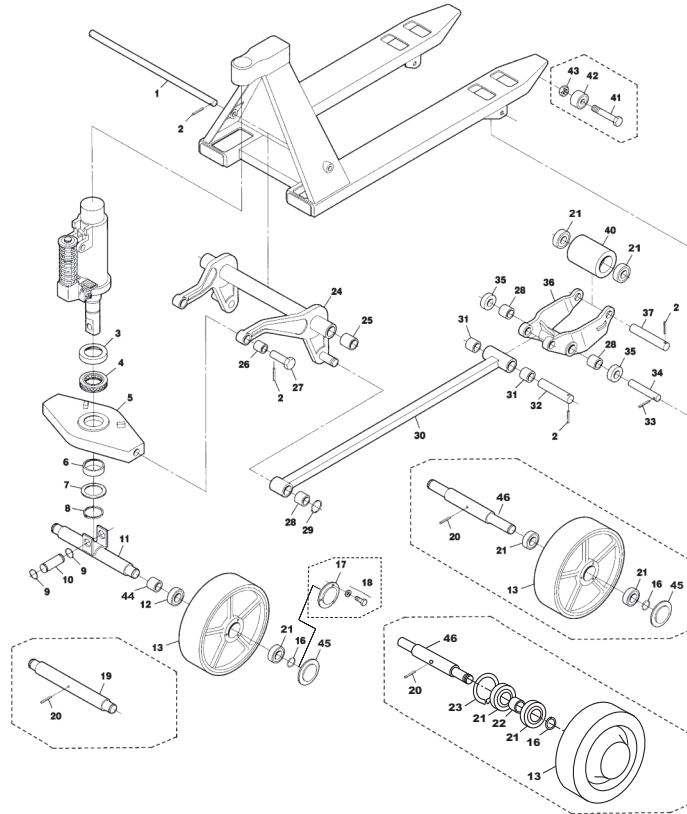


PALLET JACK PARTS

Bishamon BS-55 Frame

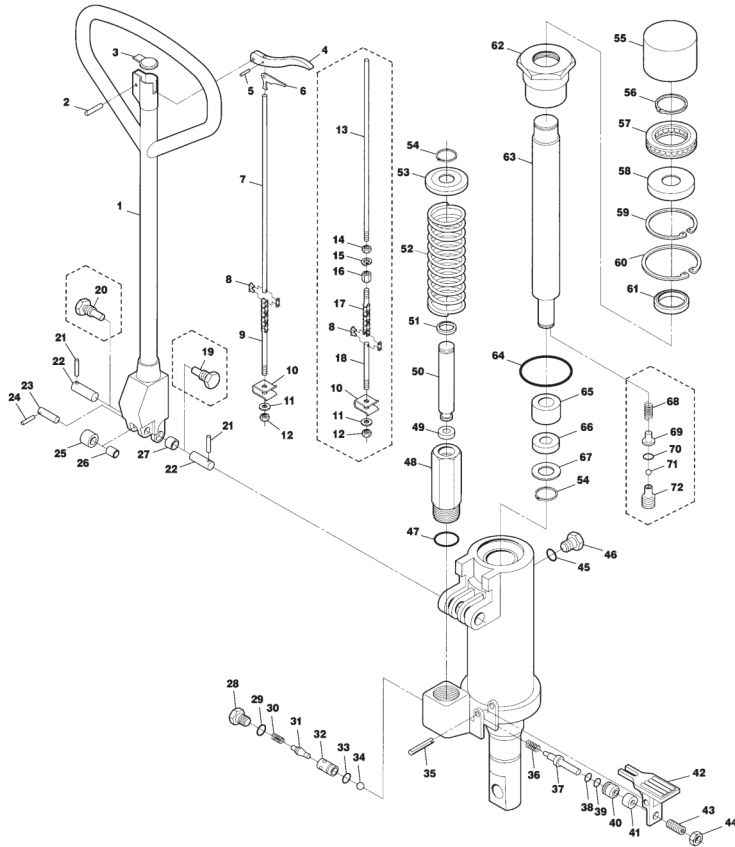


Bishamon BS-55 Frame

Item#	Part#	Description	Item#	Part#	Description
1	12007244	Lifting Link Shaft, 27" Wide Jack	32	12003293	Push Rod Axle
2	90980530	Roll Pin	33	90980540	Roll Pin
3	12003683	Bearing Cover	34	12003313	Pivot Axle
4	81251109	Traverse Bearing	35	12103433	Exit Roller
5	12013674	Traverse	36	02103304	Load Roller Bracket (Newer Style)
6	81940442	Bushing		02003304	Load Roller Bracket (Older Style) Replace W/ 02103304
7	12003693	Washer	37	12003333	Load Roller Axle
8	80845025	Snap Ring	40	85007098-A-D	Load Roller Assembly
9	80848009	Snap Ring		85007098-N-A	Load Roller Assembly
10	12103784	Pin		12061323-A-D	Load Roller Assembly
11	02103774	Steer Wheel Axle, Oldest Style		12061323-A	Load Roller Assembly
12	6005 ZZ	Bearing, 25mm ID		12061323-N-A	Load Roller Assembly
	81036205	Bearing (OEM Steer Wheel Only)	41	52008153	Bolt
13	12061733-A1-HD	Steer Wheel Assembly	42	52008143	Entry Roller
	12061733-A1-ST	Steer Wheel Assembly	43	90931508	Adjusting Nut
	12061733-S1	Steer Wheel Assembly	44	BU 25mm	Spacer
	12061733-A2-HD	Steer Wheel Assembly	45	BU 47mm	HC Hub Cap
	12061733-A2-ST	Steer Wheel Assembly	46	12003710-2	Axle, Newer Style
	85001753-A	Steer Wheel Assembly			
16	80845011	Snap Ring			
17	12003753	Hub Cap (Not Used On Aluminum Hub)			
18	90890512	Bolt and Washer (OEM Steer Wheel Only)			
19	12003710-1	Axle, Older Style			
20	90980845	Roll Pin			
21	81046204	Bearing, 20 mm ID			
	81036004	Bearing, 20 mm ID, (For OEM 2-3/4" Load Roller Only)			
	81026304	Bearing (For OEM Steer Wheel Only)			
22	52103690	Sleeve			
23	80846026	Snap Ring			
24	02108204	Lifting Link, 27" Wide Jack Special Order			
25	81920263	Bushing, 20-1/2" Wide Jack			
	81922283	Bushing, 27" Wide Jack (Newer Style)			
	81920283	Bushing, 27" Wide Jack			
26	81916201	Bushing			
27	12003703	Shoulder Pin			
28	81920243	Bushing			
29	80847015	Snap Ring			
30	02108264	Push Rod, 48" Forks (Newer Style)			
	02016263	Push Rod, 48" Forks (Older Style Special Order Serial #203001 to # 305004)			
31	81920241	Bushing			

PALLET JACK PARTS

Bishamon BS-55 Hydraulic Unit



Bishamon BS-55 Hydraulic Unit

Item#	Part#	Description	Item#	Part#	Description
1	02103814	Handle Frame	40	12003503	Release Pin Guide
	02103804	Handle Assembly	41	52003513	Rubber Bushing
2	90980622	Roll Pin	42	12003513	Foot Pedal
3	52103804	Handle Cap	43	90962820	Set Screw
4	12003943	Control Lever	44	90930308	Nut
5	90980514	Roll Pin	45 A,B	80800260	O-Ring
6	12003953	Locking Lever	46	12003533	Filler Plug
7	12103964	Control Rod (Newer Style, Serial # 305005 and Higher)	47 A,B	80800023	O-Ring
8	80839000	Master Link	48	12003633	Pump Cylinder
9	02008474	Chain W/ Rod	49 A,B	52003643	U-Cup
10	52003983	Spring Clip	50	12003645	Piston
11	90930708	Washer	51 A,B	52003633	Scraper
12	90931508	Adjusting Nut	52	52103653	Spring
13	12103963	Control Rod (Old Style to Serial # 3055004)	53	12003653	Spring Cap
14	90930106	Nut	54	80848009	Snap Ring
15	90930506	Lock Washer	55	12003604	Bearing Cup
16	12003973	Nut	56	80845015	Snap Ring
17	80830004	Chain	57	81251205	Thrust Bearing
18	12003983	Lower Control Rod	58	12003593	Thrust Collar
19	12003913	Handle Bolt (Right Hand Thread)	59	80846031	Snap Ring
20	12003923	Handle Bolt (Left Hand Thread)	60	80846037	Snap Ring
21	90820530	Roll Pin	61 A,B	52103553	Scraper
22	12003914	Handle Pin	62	12103553	Top Nut
23	12003853	Pin	63	12049564	Ram
24	90980325	Roll Pin	64 A,B	80800128	O-Ring
25	12003843	Roller	65	12013574	Piston Bushing
26	81710121	Bushing	66 A,B	52013563	U-Cup
27	81916201	Bushing	67	12003583	Washer
28	12003463	Screw Plug	68	52103663	Spring
29	A,B 80800411	O-Ring	69	12103613	Ball Seat
30 A	52003493	Spring	70 A,B	80800006	O-Ring
31 A	12003473	Valve	71 A	80843015	Ball
32 A	12003483	Valve Seat	72	12103624	Relief Seat
33 A,B	80800005	O-Ring	KITS A	52103704-Super	Super Seal Kit
34 A,B	80843022	Ball	KITS B	52103704	Complete Seal Kit
35	90980835	Roll Pin		HU BI BS-55-0	Rebuilt Hydraulic Unit (Older Model) - Exchange
36 A	52003463	Spring		HU BI BS-55-1	Rebuilt Hydraulic Unit (Newer Model) - Exchange
37	12003493	Release Pin			
38 A,B	80800002	O-Ring			
39 A,B	80800010	O-Ring			