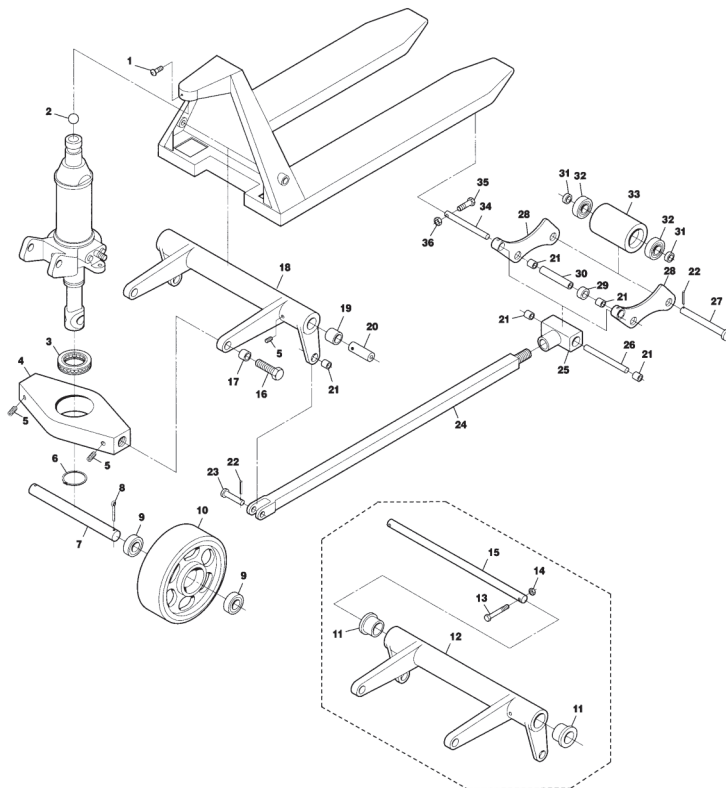


PALLET JACK PARTS

Blue Giant PT-50 and PT-55 Frame

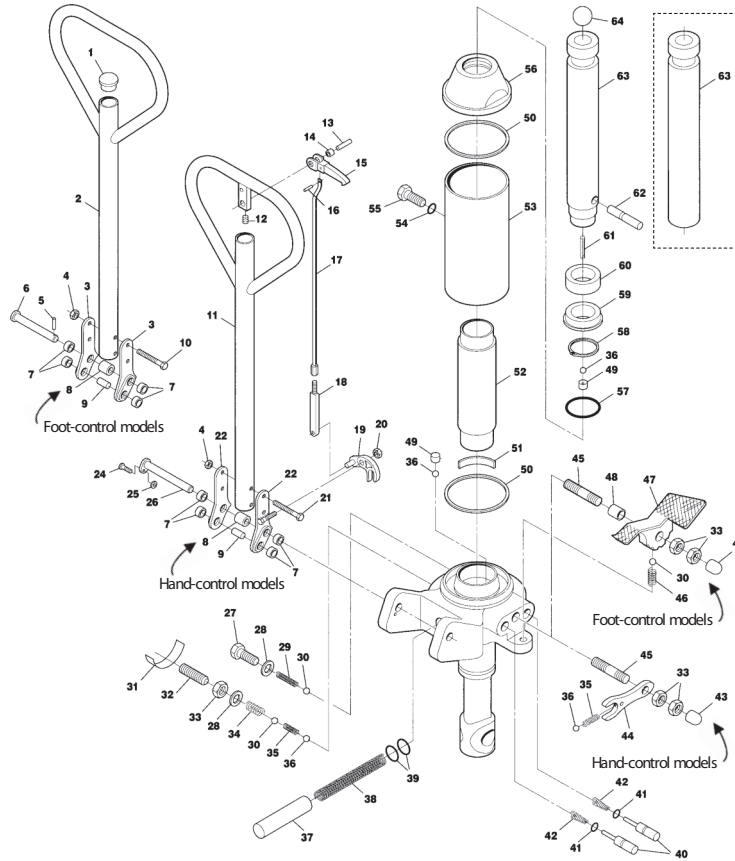


Blue Giant PT-50 and PT-55 Frame

Item#	Part#	Description	Item#	Part#	Description
1	010-054	Screw	32	018-500	Bearing (OEM Wheel Only)
2	018-523	Ball	33	103-297-A-D	Load Roller Assembly, Red Ultra Poly On Aluminum Hub W/ Bearings, 3" Dia. (PT-50)
3	018-516	Traverse Bearing		103-297-A	Load Roller Assembly, Black Ultra Poly On Steel Hub W/ Bearings, 3" Dia. (PT-50)
4	780-185	Traverse Assembly		103-297-N-A	Load Roller Assembly, Nylon, 3" Dia. (PT-50)
5	014-016	Set Screw		103-160-A	Load Roller Assembly, Steel, 3" Dia. (PT-50)
6	013-039	Snap Ring		300-034-A-D	Load Roller Assembly, Red Ultra Poly On Aluminum Hub W/ Bearings, 2-3/4" Dia. (PT-55)
7	107-200	Steer Wheel Axle		300-034-A	Load Roller Assembly, Black Ultra Poly On Steel Hub W/ Bearings, 2-3/4" Dia. (PT-55)
8	013-025	Cotter Pin	34	106-169	Pivot Axle
9	018-557	Bearing	35	010-087	Screw
10	020-034-A-HD	Steer Wheel Assembly, Red Ultra Poly On Aluminum Hub W/ Bearings (PT-50)	36	011-545	Adjusting Nut
	020-034-A-ST	Steer Wheel Assembly, Black Poly On Nylon Hub W/ Bearings (PT-50)			
	020-034-N-A	Steer Wheel Assembly, Nylon W/ Bearings (PT-50)			
	107-238-A	Steer Wheel Assembly, Steel W/ Bearings (PT-50)			
	300-027-A-HD	Steer Wheel Assembly, Red Ultra Poly On Aluminum Hub W/ Bearings (PT-55)			
	300-027-A-ST	Steer Wheel Assembly, Black Poly On Nylon Hub W/ Bearings (PT-55)			
	300-027-N-A	Steer Wheel Assembly, Nylon W/ Bearings (PT-55)			
	107-238-A	Steer Wheel Assembly, Steel W/ Bearings (PT-55)			
11	018-013	Bushing (Flanged)			
12	805-842	Lifting Link, 27" Wide Jack			
13	010-053	Bolt			
14	011-552	Nut			
15	104-055	Lifting Link Shaft, 20-1/2" Wide Jack			
	104-057	Lifting Link Shaft, 27" Wide Jack			
16	010-064	Bolt			
17	018-007	Bushing			
18	811-074	Lifting Link, 27" Wide Jack			
19	018-071	Bushing			
20	110-046	Lifting Link Pin			
21	018-001	Bushing			
22	013-010	Roll Pin			
23	107-196	Pin			
24	789-127	Push Rod, 48" Forks (Fine Thread)			
25	790-426	Tee Clevis (Fine Thread)			
	796-083	Tee Clevis (Course Thread)			
26	106-172	Push Rod Axle			
27	106-170	Load Roller Axle			
28	805-604	Load Roller Bracket (Pair, Includes Item 21)			
29	104-054	Exit Roller			
30	108-330	Sleeve			
31	106-046	Split Ring			

PALLET JACK PARTS

Blue Giant PT-50 and PT-55 Hydraulic Unit



Blue Giant PT-50 and PT-55 Hydraulic Unit

Item#	Part#	Description	Item#	Part#	Description
1	037-011	Handle Plug	39 ABC	036-043	O-Ring
2	796-463	Handle Frame	40 AB	797-489	Valve
3	805-622	Handle Bracket (Pair) Replaced by 805-621-M	41 ABC	036-035	O-Ring
	805-621-M	Handle Bracket, Single Piece Replacement	42 AB	104-066	Spring
4	011-552	Nut	43	037-017	Plastic Cover
5	013-010	Roll Pin	44	108-215	Pedal Plate
6	107-797	Handle Pin	45	104-072	Stud
7	018-001	Bushing	46 AB	104-060	Spring
8	108-314	Roller	47	797-490	Foot Pedal
9	108-319	Pin	48	018-075	Bushing
10	010-094	Bolt	49 AB	104-069	Ball Retainer
11	794-476	Handle Frame	50 ABC	106-566	Washer
12	014-016	Set Screw (Newer Style - Serial # 78109537 & Higher)	51	106-903	Magnetic Tape
	014-002	Set Screw (Older Style - Serial # 78109536 & Lower)	52	104-068	Sleeve (Older Style)
13	108-219	Pin		119-816	Sleeve (Newer Style)
14	108-222	Spacer	53	104-067	Reservoir Housing
15	108-216	Control Lever	54 ABC	107-781	O-Ring
16	104-063	Roll Pin	55	010-054	Screw
17	792-425	Control Rod	56	104-074	Top Nut
18	792-424	Lower Control Rod	57 ABC	036-042	O-Ring
19	108-217	Release Lever	58 AB	013-036	Snap Ring
20	011-569	Nut	59 ABC	036-038	U-Cup (Older Style)
21	010-082	Bolt		036-206	U-Cup (Newer Style)
22	805-621	Handle Bracket (Pair) Replaced by 805-621-M	60	104-071	Sleeve
	805-621-M	Handle Bracket, Single Piece Replacement	61 AB	104-063	Roll Pin
24	010-095	Screw	62 ABC	104-070	Pin
25	012-254	Shim	63	104-076	Ram (Older Style)
26	794-364	Handle Pin		119-817	Ram (Newer Style)
27	010-031	Screw Plug	64	018-523	Ball
28	AB 104-008	Washer	KITS A	805-603-SUPER	Super Seal Kit
29	AB 104-064	Spring	KITS B	805-603	Complete Seal Kit
30	ABC 105-734	Ball	KITS C	805-603-SLIM	Slim Seal Kit
31	A 036-069	Tape Seal, Roll	HU BG PT50-F		Rebuilt Hydraulic Unit, Foot Control Type, Model 50 / 55 - Exchange
32	014-046	Screw Plug	HU BG PT50-H		Rebuilt Hydraulic Unit, Hand Control Type, Model 50 / 55 - Exchange
33	011-520	Nut			
34 AB	104-006	Spring			
35 AB	104-065	Spring			
36 ABC	105-733	Ball			
37 A	103-315	Piston			
38 AB	104-021	Spring			