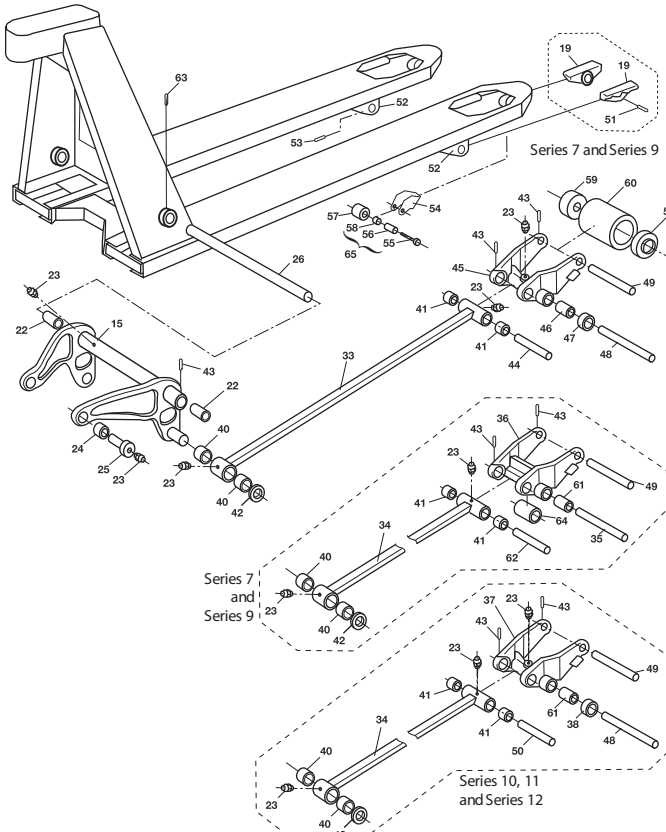
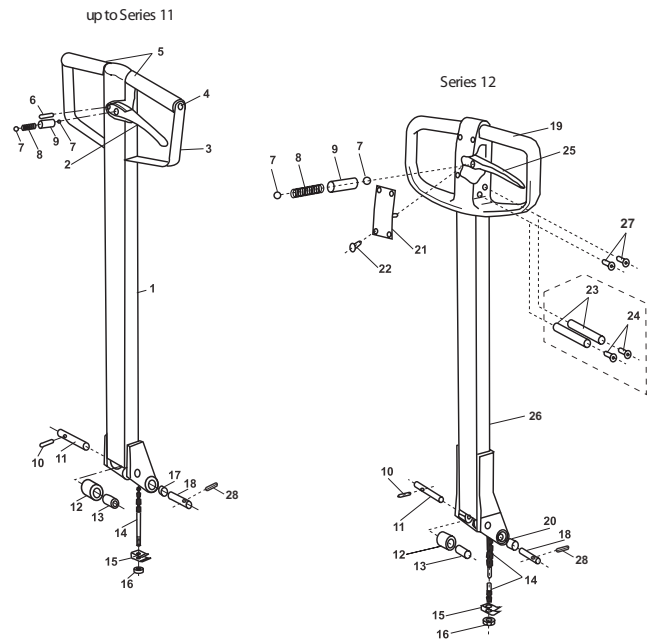


PALLET JACK PARTS

BT L 2000 and L 2300 Frame



BTL Series Handles



BT L 2000 and L 2300 Frame

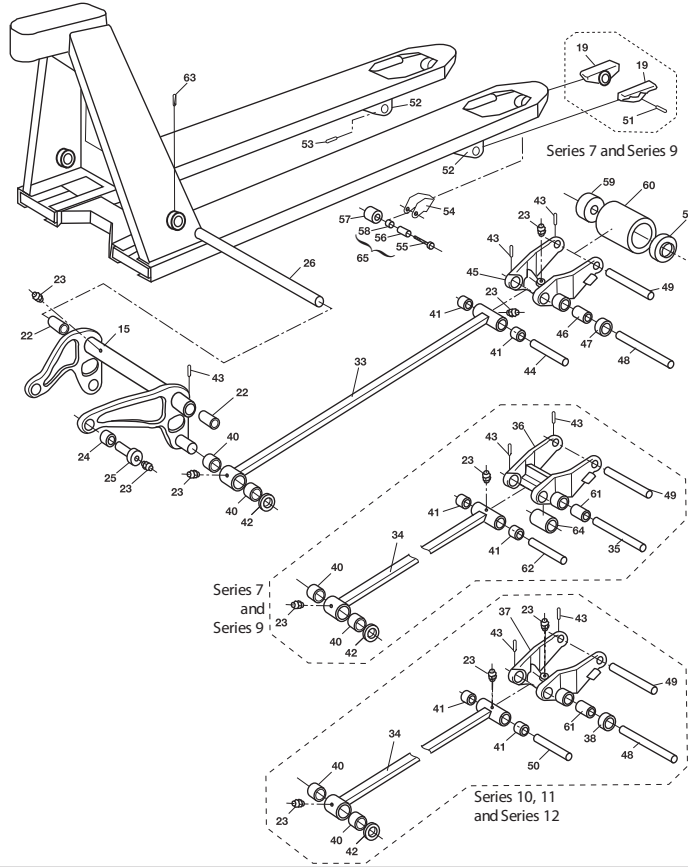
Item#	Part#	Description	Item#	Part#	Description
15	64183	Lifting Link, 27" Wide Jack	60	167605-D	Load Roller Assembly, Red Ultra Poly On Aluminum Hub W/ Bearings, 3-1/4" Dia.
19	119911	Ear-Weldment		167605	Load Roller Assembly, Black Ultra Poly On Steel Hub W/ Bearings, 3-1/4" Dia.
	47135	Ear-Weldment		167602	Load Roller Assembly, Nylon W/ Bearings, 3-1/4" Dia.
22	47167	Bushing		167601	Load Roller Assembly, Steel W/ Bearings
23	20026	Grease Fitting (Threaded)		GWK-BTL-LW	Load Wheel Kit, (L 2000 & L 2300) 2 Load Roller Assy W/ Bearings, Axles and Fasteners
	27662	Grease Fitting (Press-In)	61	51805	Bushing
24	30018	Bushing	62	110777	Push Rod Axle
25	127304	Shoulder Pin, Series 10	63	22128	Roll Pin
	166701	Shoulder Pin, Series 11 and 12	64	105369	Exit Roller (Nylon)
26	47157	Lifting Link Shaft, 27" Wide Jack	65	21385-A	Axle Assembly
33	48264	Push Rod, 48" Forks		60056	Brake Cable Assembly (up to Series 10)
34	109566-122	Push Rod, 48" Forks, Series 10		150785	Brake Cable Assembly (Series 11)
	157213	Push Rod, 48" Forks, Series 11 and 12		177113	Brake Cable Assembly (Series 12)
35	109478	Pivot Axle		109305	Brake Wheel, Poly On Steel
36	128539	Load Roller Bracket			
37	130750	Load Roller Bracket, Series 10			
	149466	Load Roller Bracket, Series 11 and 12			
38	65601	Exit Roller (Steel, 9.5 to 10mm Thick)			
40	30023	Bushing			
41	47117	Bushing			
42	20013	Washer			
43	20001	Roll Pin			
44	47120	Push Rod Axle			
45	47137	Load Roller Bracket			
46	30024	Bushing			
47	58027	Exit Roller (Steel, 11.5 to 12mm Thick)			
48	47134	Pivot Axle			
49	111257	Load Roller Axle			
50	126131	Push Rod Axle			
51	27921	Roll Pin			
52	47135	See Item 19 part no. 119911			
53	20014	See Item 51 part no. 27921			
54	47110	Entry Roller Bracket			
55	21385	Bolt			
56	47151	Sleeve			
57	47150	Entry Roller			
58	20433	Nut			
59	167630	Bearing, 47 mm OD (Newer Style)			
	22053	Bearing, Older Style Wheel			

BTL Series Handles

Item#	Part#	Description	Item#	Part#	Description
1	17470	Handle Assembly	18	47931	Handle Pin
		(includes items 1 through 14)	19	173752	Handle Loop
2	47083	Control Lever			(option to replace w/item#1)
3	47082	Clamp	20	176827	Bushing
4	24470	Screw	21	173753	Cap
5	47074	Handle Grip	22	177154	Screw
6	20105	Roll Pin	23	176838	Sleeve
7	22757	Ball	24	176914	Screw
8	47089	Spring	25	173754	Control Lever
9	54140	Sleeve			Handle Assembly
10	20461	Roll Pin	26	175753	(option to replace w/item#1)
11	47930	Pin	27	173764	Plastic Plug
12	47929	Roller	28	20071	Roll Pin
13	22108	Bushing			
14	17469	Control Rod and Chain Assembly			
	17469-A	Master Link			
	17469-B	Chain			
	17469-C	Pin			
15	42631	Spring Clip			
16	21094	Adjusting Nut			
17	22107	Bushing			

PALLET JACK PARTS

BT L 2000-U and L 2300-U Frame

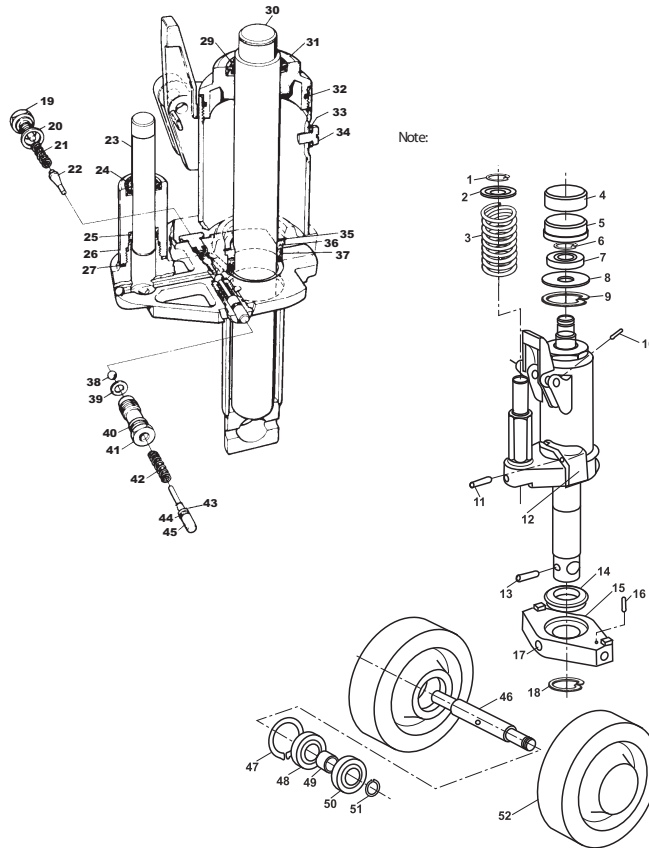


BT L 2000-U and L 2300-U Frame

Item#	Part#	Description	Item#	Part#	Description
15	64183	Lifting Link, 27" Wide Jack	167609		Load Roller Assembly, Black Ultra Poly On Steel Hub W/ Bearings, 2.9" Dia.
19	119911	Ear-Weldment	167600		Load Roller Assembly, Nylon W/ Bearings, 2.9" Dia.
	47135	Ear-Weldment	15881		Load Roller Assembly, Black Ultra Poly On Steel Hub W/ Bearings, 2.9" Dia.
22	47167	Bushing			Load Roller Assembly, Red Ultra Poly On Aluminum Hub W/ Bearings, 2.9" Dia. Wet Application
23	20026	Grease Fitting (Threaded)	15881-D-WA		W/ Bearings, 2.9" Dia. Wet Application
	27662	Grease Fitting (Press-In)	15881-WA		Load Roller Assembly, Black Ultra Poly On Steel Hub W/ Bearings, 2.9" Dia., Wet Application
24	30018	Bushing	55002-A		Load Roller Assy - 2.9" Diameter, Steel
25	127304	Shoulder Pin, Series 10			Load Wheel Kit, (L 2000-U & L 2300-U) 2 Load Roller Assy W/ Bearings, Axles and Fasteners
	166701	Shoulder Pin, Series 11 and 12	61	51805	Bushing
26	47157	Lifting Link Shaft, 27" Wide Jack	62	110777	Push Rod Axle
33	48264	Push Rod, 48" Forks	63	22128	Roll Pin
34	109566-122	Push Rod, 48" Forks, Series 10	64	105369	Exit Roller (Nylon)
	157213	Push Rod, 48" Forks, Series 11 and 12	65	21385-A	Axle Assembly
35	109478	Pivot Axle			Brake Cable Assembly (up to Series 10)
36	128539	Load Roller Bracket			Brake Cable Assembly (Series 11)
37	130750	Load Roller Bracket, Series 10			Brake Cable Assembly (Series 12)
	149466	Load Roller Bracket, Series 11 and 12			Brake Wheel, Poly On Steel
38	65601	Exit Roller (Steel, 9.5 to 10mm Thick)			
40	30023	Bushing			
41	47117	Bushing			
42	20013	Washer			
43	20001	Roll Pin			
44	47120	Push Rod Axle			
45	47137	Load Roller Bracket			
46	30024	Bushing			
47	58027	Exit Roller (Steel, 11.5 to 12mm Thick)			
48	47134	Pivot Axle			
49	111257	Load Roller Axle			
50	126131	Push Rod Axle			
51	27921	Roll Pin			
52	47135	See Item 19 part no.119911			
53	20014	See Item 51 part no.27921			
54	47110	Entry Roller Bracket			
55	21385	Bolt			
56	47151	Sleeve			
57	47150	Entry Roller			
58	20433	Nut			
59	167630	Bearing, 47 mm OD (Newer Style)			
	22053	Bearing, Older Style Wheel			
60	167609-D	Load Roller Assembly, Red Ultra Poly On Aluminum Hub W/ Bearings, 2.9" Dia.			

PALLET JACK PARTS

BT L 2000, L 2300, L 2000-U and L 2300-U Hydraulic Unit



BT L 2000, L 2300, L 2000-U and L 2300-U Hydraulic Unit

Item#	Part#	Description	Item#	Part#	Description
1	20043	Snap Ring	39	ABCF 47050	Washer
2	47450	Washer	40	ABCF 22032	O-Ring
3	65245	Spring	41	A 129209	Release Pin Guide
4	47997	Insert	42	A B 47071	Spring
5	47996	Bearing Cap, Steel	43	A B 49513	Spring Guide
	164675	Bearing Cap (Series 12), Nylon	44	ABCF 22318	Scraper
6	20041	Snap Ring	45	A B 47051	Release Pin
7	20018	Bearing	46	47144	Steer Wheel Axle
8	47995	Washer	47	20923	Snap Ring
9	20076	Snap Ring	48	22123	Bearing
10	20071	Roll Pin	49	47149	Spacer
11	A B 20104	Roll Pin	50	20332	Bearing
12	47070	Release Lever	51	20019	Snap Ring
13	20868	Roll Pin	52	160422-HD	Steer Wheel Assembly, Red Ultra Poly On Aluminum Hub W/ Bearings, 7" Dia., Open Hub
14	22052	Traverse Bearing		160422-ST	Steer Wheel Assembly, Black Poly On Nylon Hub W/ Bearings, 7" Dia., Open Hub
15	47092	Traverse		160421	Steer Wheel Assembly, Nylon W/ Bearings, 7" Dia., Open Hub
16	20001	Roll Pin		160433	Steer Wheel Assembly, Steel W/ Bearings, 7" Dia., Open Hub
17	20026	Grease Fitting (Threaded)		126968-A-HD	Steer Wheel Assembly, Red Ultra Poly On Aluminum Hub W/ Bearings, 7" Dia., Open Hub
18	20011	Snap Ring		126968-A-ST	Steer Wheel Assembly, Black Poly On Nylon Hub W/ Bearings, 7" Dia., Open Hub
19	43713	Screw Plug		102667-A	Steer Wheel Assembly, Steel W/ Bearings, 7" Dia., Open Hub
20	ABCF 37218	Washer		GWK-BTL-CK	Complete Wheel Kit
21	A B 39106	Spring		102665-A	Steer Wheel Assembly, Nylon W/ Bearings, 7" Dia., Closed Hub
22	A B 47049	Valve	KITS	A 129883-SUPER	Super Seal Kit
23	47043	Piston	KITS	B 129883	Complete Seal Kit
	130168	Piston (Series 10, 11 and 12)	KITS	C 129883-SLIM	Slim Seal Kit
24	ABCD 21060	Scraper	KITS	D 130784	Pump Cylinder Kit
25	ABCD 21065	U-Cup (Series 10)	KITS	D 22306	Pump Cylinder Kit
	ABCD 22033	U-Cup	KITS	E 129881	Lift Cylinder Kit
26	47042	Pump Cylinder	KITS	F 129882	Valve Packing Kit
27	ABCD 47044	Washer		HU BTL 2000	Rebuilt Hydraulic Unit - Exchange
29	ABCE 20066	Scraper			
30	47985	Ram			
31	47037	Top Nut			
32	ABCE 21024	O-Ring			
33	ABCE 21742	Washer			
34	20345	Filler Plug			
35	A B 20101	Snap Ring			
36	A B 47039	Bushing			
37	ABCE 22034	U-Cup			
38	ABCF 20065	Ball			