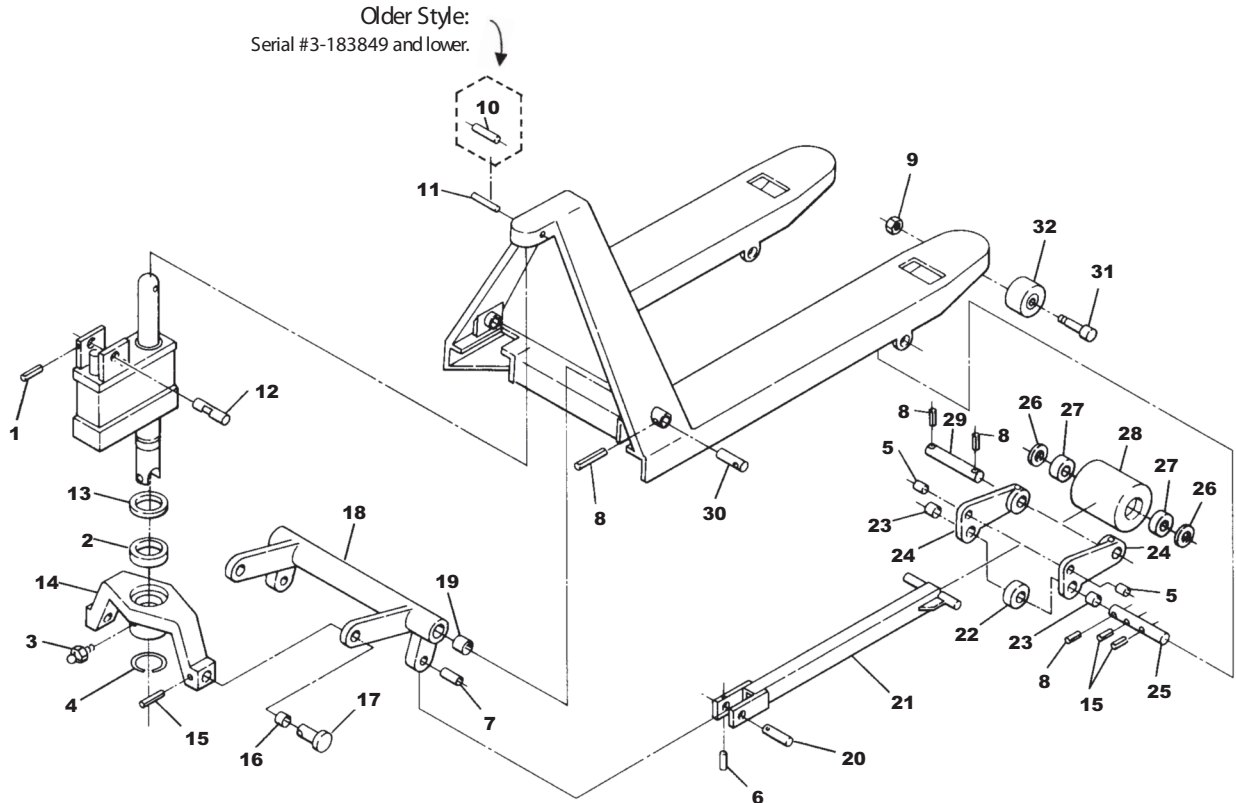


# PALLET JACK PARTS

## Crown PTH Frame

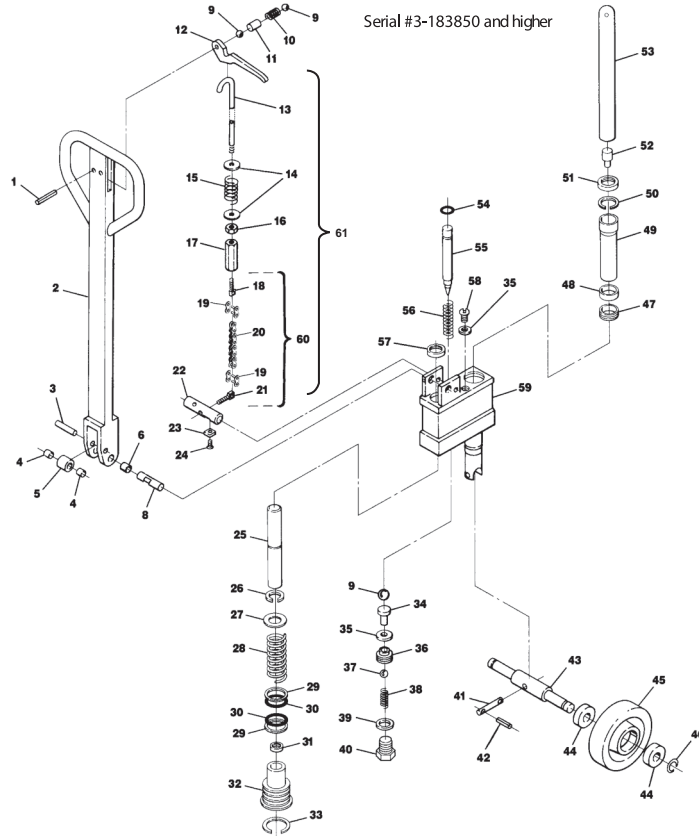


## Crown PTH Frame

Item#	Part#	Description	Item#	Part#	Description
1	50000-015	Roll Pin			
2	55018-001	Traverse Bearing			
3	54011-001	Lube Fitting			
4	50012-024	Snap Ring			
5	41201	Bushing			
6	50000-016	Roll Pin			
7	41139	Bushing			
8	50000-017	Roll Pin			
9	50008-025	Nut			
10	50000-034	Roll Pin			
11	50000-036	Roll Pin			
12	41252	Handle Axle			
13	79850	Washer			
14	41249	Traverse Special Order			
15	50000-012	Roll Pin			
16	41138	Bushing			
17	41149	Shoulder Pin			
18	41129-002	Lifting Link, 27" Wide Jack Special Order			
19	41137	Bushing			
20	41148	Pin			
21	41141-002	Push Rod, 36" Forks Special Order			
	41141-004	Push Rod, 42" Forks Special Order			
	41141-006	Push Rod, 48" Forks			
22	41127	Exit Roller			
23	55007-001	Bushing			
24	41241	Load Roller Bracket (Pair) (Incl. Items 5 and 23)			
25	41126	Pivot Axle			
26	41203	Washer			
27	65081-020	Bearing			
28	82283-1-D	Load Roller Assy, Red Ultra Poly On Aluminum Hub W/ Bearings			
	82283-1	Load Roller Assembly, Black Ultra Poly On Steel Hub W/ Bearings			
	82283-2	Load Roller Assembly, Nylon W/ Bearings			
	82283-3	Load Roller Assy, Steel W/ Bearings			
	GWK-PTH-LW	Load Wheel Kit, (2) Load Roller Assy W/ Bearings, Axles and Fasteners			
	GWK-PTH-CK	Complete Wheel Kit, 2 load roller assy, 2 steer wheel assy w/bearings, axles and fasteners			
29	41202	Load Roller Axle			
30	41140	Lifting Link Pin			
31	50007-021	Bolt			
	82203	Entry Roller			
32	82203	Entry Roller			
KITS	CR RPK	Roll Pin Kit			

# PALLET JACK PARTS

## Crown Later PTH Hydraulic Unit

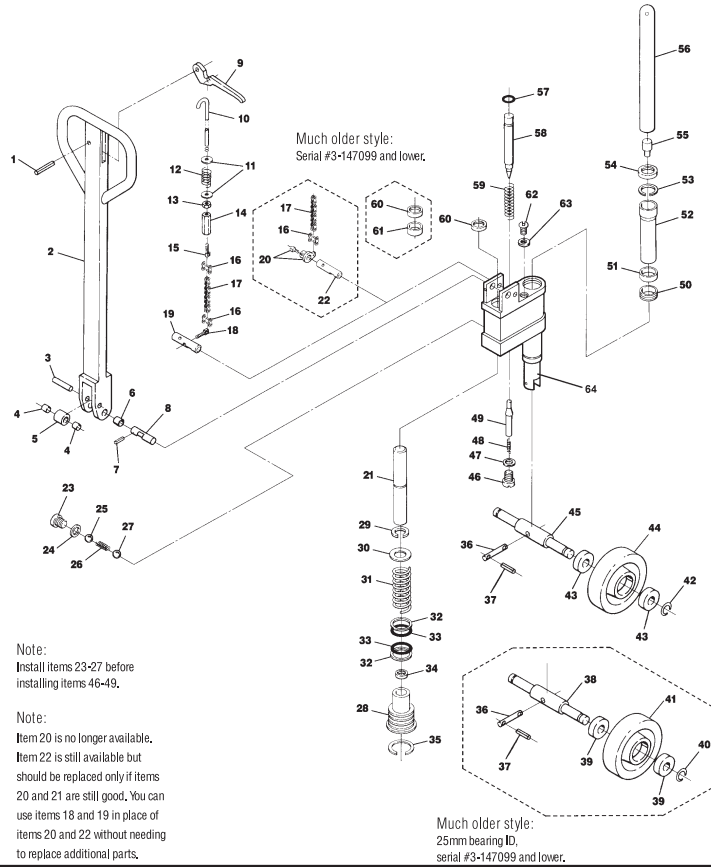


## Crown Later PTH Hydraulic Unit

Item#	Part#	Description	Item#	Part#	Description
1	50000-012	Roll Pin	41	41195	Roll Pin
2	41293	Handle Assembly, (Incl. Items 1-6 and 9-17)	42	50000-001	Roll Pin
3	41191	Roller Axle	43	41270	Steer Wheel Axle
4	55017-002	Roller Bearing	44	65081-020	Bearing
5	41192	Roller	45	41275-1-HD	Steer Wheel Assembly, red ultra poly on aluminum hub w/bearings, 20 mm Bearing ID
6	41194	Bushing		41275-1-ST	Steer Wheel Assy, Black Poly On Nylon Hub W/ Bearings, 20 mm Bearing ID
8	41252	Handle Axle		41275-2	Steer Wheel Assembly, Nylon W/ Bearings, 20 mm Bearing ID
9 A B	55001-007	Ball		41275-3 Steer	Wheel Assembly, Steel W/ Bearings, 20 mm Bearing ID
10	41292	Spring		GWK-PTH-CK	Complete Wheel Kit, 2 load roller assy, 2 steer wheel assy w/bearings, axles and fasteners
11	41326	Sleeve	46	50012-021	Snap Ring
12	41325	Control Lever	47 A B	41166	Bushing
13	41295	Control Rod	48 A B	54015-001	U-Cup
14	41193	Washer	49	41165	Bushing
15	79918	Spring	50 A	50012-025	Snap Ring
16	50008-008	Nut	51 A B	54001-008	Scraper
17	41190	Adjusting Nut	52	41254	Magnet and Sleeve Assembly
18	41180	Chain Connector	53	41163	Ram Assembly (Incl Item 52)
19	79905	Master Link	54 A B	54002-011	O-Ring
20	79904	Chain	55	41284	Release Pin
21	41272	Chain Connector	56 A B	79915	Spring
22	41302	Pin	57 A B	54001-002	Scraper
23 A	41303	Actuating Plate	58 A	41181	Filler Plug
24 A	50003-012	Screw	59	HU CR PTH-1PC	Rebuilt Hydraulic Unit - Exchange
25 A	41996	Piston	60	79904-A	Chain Assembly (Incl Item 18 - 21)
	41999	Piston and Cylinder Assy (Includes Items 25,29,30,31,32)	61	41295-A	Pull Rod Chain Assy (Includes Items 13-21)
26 A	50012-021	Snap Ring	KITS A	43023-SUPER	Super Seal Kit
27	41170	Washer	KITS B	43023	Seal Kit
28	79908	Spring			
29 A B	64074-005	Back-Up Ring			
30 A B	54002-012	O-Ring			
31 A B	54015-004	U-Cup			
32	41995	Pump Cylinder			
33 A	50012-026	Snap Ring			
34 A B	41286	Tappet			
35 A B	50011-010	Washer			
36 A B	41289	Ball Housing			
37 A B	55001-002	Ball			
38 A B	41288	Spring			
39 A B	50011-020	Washer			
40 A	41301	Screw Plug			

# PALLET JACK PARTS

## Crown Older PTH Hydraulic Unit



Note:  
Install items 23-27 before  
installing items 46-49.

Note:  
Item 20 is no longer available.  
Item 22 is still available but  
should be replaced only if items  
20 and 21 are still good. You can  
use items 18 and 19 in place of  
items 20 and 22 without needing  
to replace additional parts.

Much older style:  
25mm bearing ID,  
serial #3-147099 and lower.

## Crown Older PTH Hydraulic Unit

Item#	Part#	Description	Item#	Part#	Description
1	50000-012	Roll Pin	40	50012-022	Snap Ring
2	41182	Handle Assy, (Incl. Items 1-6 and 9-14)	41	82274-1-HD	Steer Wheel Assembly, Red Ultra Poly On Aluminum Hub W/ Bearings, 25 mm Bearing ID
3	41191	Roller Axle	41	82274-1-ST	Steer Wheel Assembly, Black Poly On Nylon Hub W/ Bearings, 25 mm Bearing ID
4	55017-002	Roller Bearing		82274-2	Steer Wheel Assembly, Nylon W/ Bearings, 25 mm Bearing ID
5	41192	Roller		82274-3	Steer Wheel Assembly, Steel W/ Bearings, 25 mm Bearing ID
6	41194	Bushing	42	50012-021	Snap Ring
7	50000-015	Roll Pin	43	65081-020	Bearing
8	41252	Handle Axle	44	41275-1-HD	Steer Wheel Assembly, Red Ultra Poly On Aluminum Hub W/ Bearings, 20 mm Bearing ID
9	79873	Control Lever		41275-1-ST	Steer Wheel Assly, Black Poly On Nylon Hub W/ Bearings, 20 mm Bearing ID
10	41189	Control Rod		41275-2	Steer Wheel Assembly, Nylon W/Bearings, 20 mm Bearing ID
11	41193	Washer		41275-3	Steer Wheel Assembly, Steel W/ Bearings, 20 mm Bearing ID
12	79918	Spring		GWK-PTH-CK	Complete Wheel Kit, 2 Load Roller Assy 2 steer wheel assembly w/bearings, axles and fasteners
13	50008-008	Nut	45	41270	Steer Wheel Axle
14	41190	Adjusting Nut	46 A	41172	Screw Plug
15	41180	Chain Connector	47 A B	50011-015	Washer
16	79905	Master Link	48 A B	79913	Spring
17	79904	Chain	49 A B	41174	Valve
18	41272	Chain Connector	50 A B	41166	Bushing
19	41271	Pin	51 A B	54015-001	U-Cup
20	-	Replace W/ Items 18 & 19	52	41165	Bushing
21 A	41996	Piston	53 A	50012-025	Snap Ring
	41999	Piston and Cylinder Assembly (Includes Items 25,29,30,31,32)	54 A B	54001-008	Scraper
22	41176	Pin	55	41254	Magnet and Sleeve Assembly
23 A	41171	Screw Plug	56	41163	Ram Assembly (Incl Item 55)
24 A B	50011-018	Washer	57 A B	54002-011	O-Ring
25 A B	65002-005	Ball	58	41175	Release Pin
26 A B	79914	Spring	59 A B	79915	Spring
27 A B	65002-007	Ball	60 A B	54001-002	Scraper
28	41995	Pump Cylinder	61	41162	Bushing
29 A	50012-021	Snap Ring	62 A	41181	Filler Plug
30	41170	Washer	63 A B	50011-011	Washer
31	79908	Spring	64	HU CR PTH-2PC	Rebuilt Hydraulic Unit - Exchange (Serial # 3-118400 to #3-183849)
32 A B	64074-005	Back-Up Ring	KITS A	41246-SUPER	Super Seal Kit
33 A B	54002-012	O-Ring	KITS B	41246	Seal Kit
34 A B	54015-004	U-Cup			
35 A	50012-026	Snap Ring			
36	41195	Pin			
37	50000-001	Roll Pin			
38	41197	Steer Wheel Axle			
39	65081-021	Bearing			