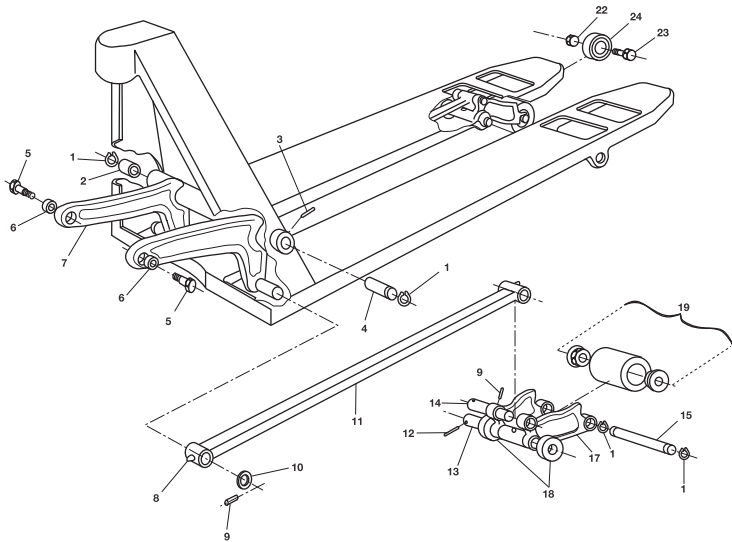
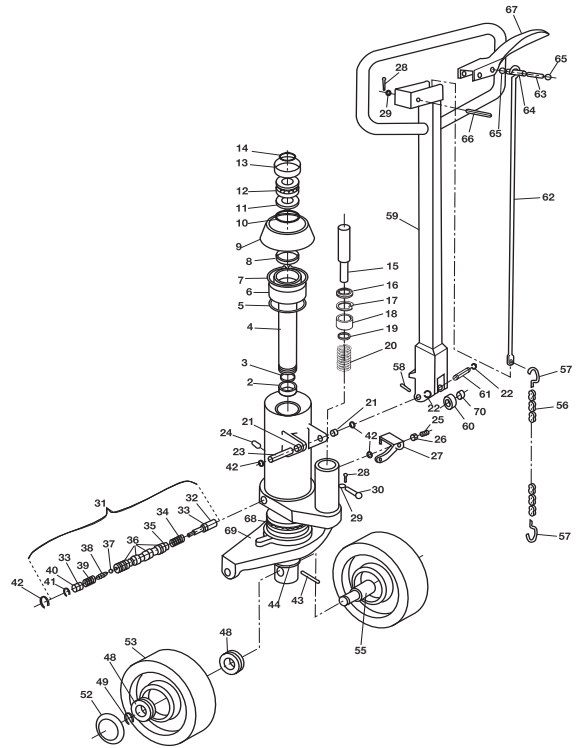


PALLET JACK PARTS

Interthor K77 and K85 Frame



Interthor K77 and K85 Hydraulic Unit



Interthor K77 and K85 Frame

Item#	Part#	Description
1	435.0015	Snap Ring
2	524.5040	Bushing
3	427.0440	Roll Pin
4	140.5153	Lifting Link Pins (Pair), 27" Wide Jack
5	140.5229	Shoulder Bolt
6	524.0014	Bushing
7	130.5156	Lifting Link, 27" Wide Jack
8	640.0002	Grease Fitting (Threaded)
9	427.0102	Roll Pin
10	140.5098	Washer
11	130.5086-D	Push Rod, 48" Forks
12	427.6127	Roll Pin
13	140.5095	Pivot Axle
14	140.5099	Push Rod Axle
15	140.5094	Load Roller Axle
17	130.5068	Load Roller Bracket
18	140.5101	Exit Roller
19	140.5234-A	Load Roller Assembly, Black Ultra Poly On Steel Hub W/ Bearings

Item#	Part#	Description
22	140.5233-A	Load Roller Assembly, Nylon W/ Bearings
	140.5235-A	Load Roller Assembly, Steel W/ Bearings
22	410.0004	Nut
23	300.0039	Bolt
24	140.5172	Entry Roller

Interthor K77 and K85 Hydraulic Unit

Item#	Part#	Description	Item#	Part#	Description	Item#	Part#	Description
2 A	605.5080	U-Cup	20 A	140.6470	Handle Return Spring	38	140.6459	Pin
3 A	140.6017	Nylon Bushing	21	524.0014	Bushing	39 A	140.6439	Spring
4	140.6014	Ram	22	435.0008	Snap Ring	40	140.6457	Plug
5 A	600.5028	O-Ring	23	140.6420	Handle Pin	41	430.0000	Snap Ring
6	140.6001	Bushing	24	630.2002	Filler Plug	42	435.0012	Snap Ring
7	430.0034	Snap Ring	25	315.0650	Set Screw	43	427.0165	Roll Pin
8 A	611.0020	Scraper	26	400.0003	Nut	44	435.0025	Snap Ring
9	140.6035	Cover	27	130.6465	Release Lever	48	512.0035	Bearing
10	430.0029	Snap Ring	28	450.0020	Cotter Pin	49	435.0015	Snap Ring
11	140.5111	Thrust Collar	29	415.0004	Washer	52	140.5070	Hub Cap
12	518.0015	Thrust Bearing	30	452.0032	Pin	53	130.5179-A	Steer Wheel Assembly Nylon w/bearings
13	140.5110	Bushing	31	140.6478	Valve Assembly		140.6149-A	Steer Wheel Assembly Nylon W/ Bearings
14	435.0021	Snap Ring	32	140.6458	Plunger		150.0000-A	Steer Wheel Assembly Steel w/bearings
15	140.6460	Piston	33 A	600.0002	O-Ring	55	140.6050	Steer Wheel Axle
16 A	610.0006	Scraper	34 A	140.6471	Spring	56	140.6479	Chain
17	430.0070	Snap Ring	35	130.6456	Valve Housing			
18	140.6461	Bushing	36 A	600.0008	O-Ring			
19 A	606.0010	U-Cup	37 A	549.0018	Ball			
						57	140.6416	Hook
						58	427.0065	Roll Pin
						59	130.6476	Handle Assembly
						60	143.0005	Roller
						61	140.6414	Pin
						62	140.6474	Control Rod
						63	140.6472	Spring
						64	140.6473	Sleeve
						65	549.0025	Ball
						66	452.0025-R	Roll Pin
						67	130.6467	Control Lever
						68	518.0022	Traverse Bearing
						69	130.5133	Traverse
						70	524.0008	Bushing
						KITS A	K-77	Complete Seal Kit
						HU IN	K77	Rebuilt Hydraulic Unit - Exchange