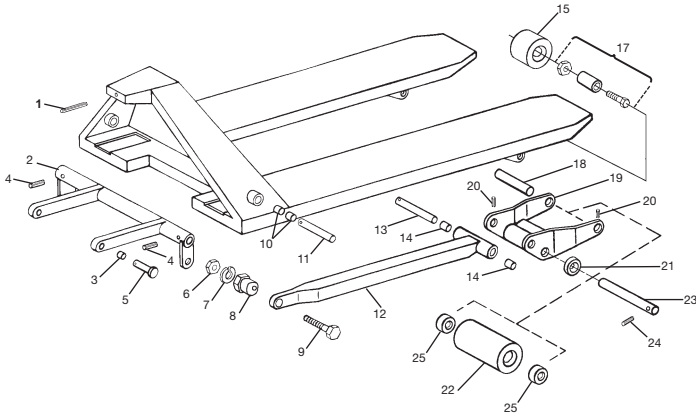
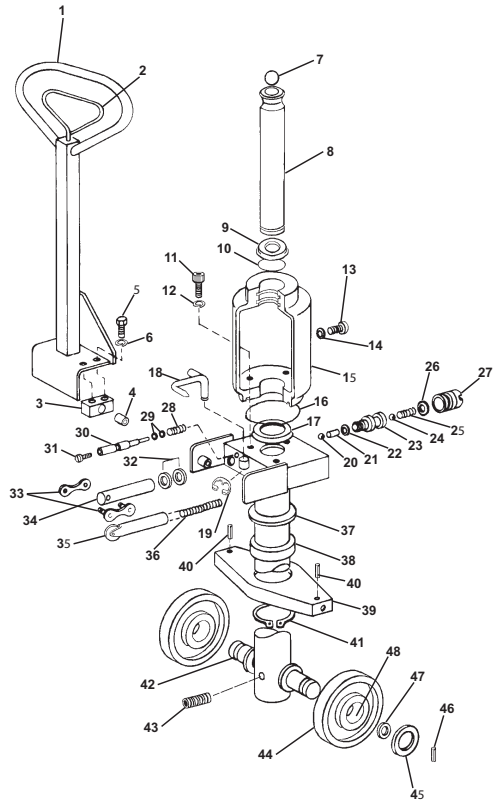


PALLET JACK PARTS

Magnum (Intrupa) 5000 Frame



Magnum (Intrupa) 5000 Hydraulic Unit



Magnum (Intrupa) 5000 Frame

Item#	Part#	Description	Item#	Part#	Description
1	520	Roll Pin	15	545	Entry Roller
2	522	Lifting Link, 27" Wide Jack	17	546	Bushing and Axle Assembly
	523	Lifting Link, 20-1/2" Wide Jack	18	540	Axle
3	108	Bushing	19	541	Load Roller Bracket
4	526	Roll Pin	20	542	Roll Pin
5	525	Pin	21	544	Exit Roller
6	529	Lock Nut	22	537-A	Load Roller Assembly, Black Ultra Poly On Steel Hub W/ Bearings
7	519	Lock Washer		536-A	Load Roller Assembly, Nylon W/ Bearings
8	527	Eccentric Pin		538-A	Load Roller Assembly, Steel W/ Bearings
9	528	Bolt	23	543	Axle
10	521	Bushing	24	152	Roll Pin
11	530	Lifting Link Pin	25	539	Bearing
12	535	Push Rod, 48" Forks			
13	531	Pin			
14	108	Bushing			

Magnum (Intrupa) 5000 Hydraulic Unit

Item#	Part#	Description	Item#	Part#	Description	Item#	Part#	Description
1	105	Handle Assembly	22 A B	123	O-Ring	43	146	Screw
2	106	Control Lever	23 A	135	Valve			
3	107	Bearing Block	24 A B	136	Ball	44	148-A-HD	Steer Wheel Assembly, Red Ultra Poly On Aluminum Hub W/ Bearings
4	108	Bushing	25 A B	137	Spring		148-A-ST	Steer Wheel Assembly, Poly On Nylon Hub W/ Bearings
5	109	Screw and Washer	26 A B	138	O-Ring		147-A	Steer Wheel Assembly, Nylon W/ Bearings
6	110	Lock Washer	27 A	139	Screw Plug		149-A	Steer Wheel Assembly, Steel W/ Bearings
7	111	Ball	28 A B	122	Spring		148-HD	Steer Wheel Assy, Red Ultra Poly On Aluminum Hub W/ OEM Style Bearings
8	112	Ram	29 A B	123	O-Ring	45	151	Washer
9 A B	114	Scraper	30 A	124	Valve Pin	46	152	Roll Pin
10 A B	115	O-Ring	31 A	125	Adjusting Screw	47	151-1	Bearing Retaining Washer
11	117	Screw	32 A B	126	Quad Ring		151-2	Bearing Retaining Washer (Wet Application)
12	117-1	Lock Washer	33 A	128	Master Link	48	150	Bearing
13	118	Screw Plug	34 A	127	Pump Piston		KITS A	153-SUPER Super Seal Kit
14 A B	123	O-Ring	35	129	Plunger		KITS B	153 Seal Kit
15	113	Tank Reservoir	36 A	130	Spring		HU 5000	Rebuilt Hydraulic Unit - Exchange
16 A B	116	O-Ring	37	141	Spacer			
17 A B	131	Seal	38	142	Traverse Bearing			
18	120	Valve Pin	39	143	Traverse			
19 A	121	Locking Ring	40	542A	Roll Pin			
20 A B	132	Ball	41	144	Snap Ring			
21 A	133	Roll Pin	42	145	Axle			