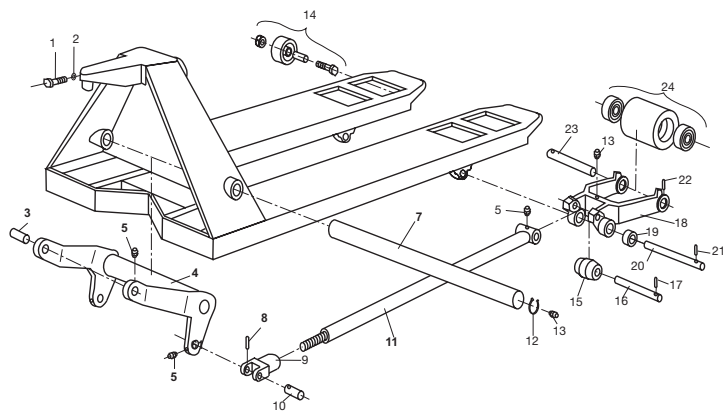
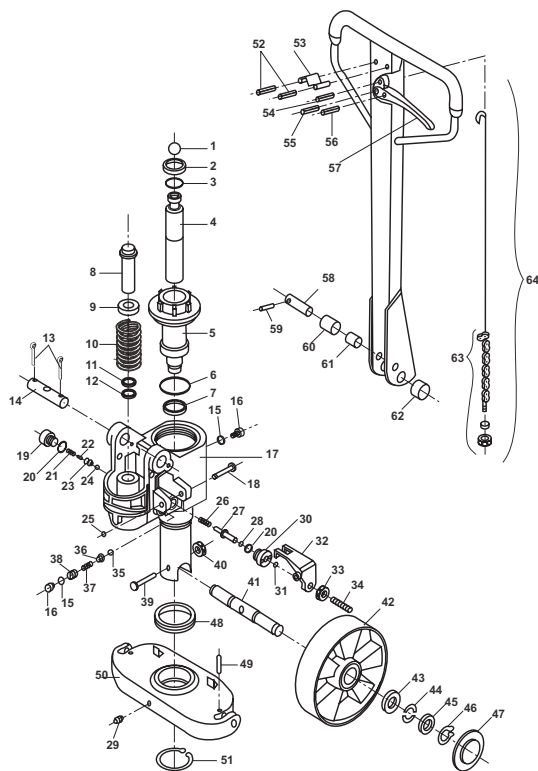


PALLET JACK PARTS

Mighty Lift 5500 Frame



Mighty Lift 5500 Hydraulic Unit



Mighty Lift 5500 Frame

Item#	Part#	Description	Item#	Part#	Description
1	B42	Bolt	17	B24	Roll Pin
2	B41	Lube Fitting	18	B31	Load Roller Bracket W/ Bushings
3	B14	Pin	19	B28	Exit Roller
4	B43	Lifting Link, 27" Wide Jack	20	B26	Shaft
5	B22	Lube Fitting	21	B27	Roll Pin
7	B20	Lifting Link Shaft, 27" Wide Jack	22	B30	Roll Pin
8	B16	Roll Pin	23	B29	Shaft
9	B17	Rod Fitting	24	B35	Load Roller Assembly, Black Ultra Poly On Steel Hub W/ Bearings
10	B18	Pin		B35-N	Load Roller Assembly, Nylon W/ Bearings
11	B19	Push Rod		B35-S	Load Roller Assembly, Steel W/ Bearings
12	B21	Retaining Ring		GWK-BF-LW	Load Wheel Kit, Incl. (2) Poly Load Roller Assy W/ Bearings, Axles and Fasteners
13	B15	Lube Fitting		B45	Tandem Load Roller Wheel Assembly
14	B36A	Entry Roller, Axle, Sleeve, Nut Assembly			
15	B23	Exit Roller			
16	B25	Shaft			

Mighty Lift 5500 Hydraulic Unit

Item#	Part#	Description	Item#	Part#	Description	Item#	Part#	Description
1	B146	Ball	22 A	B122	Spindle of Damping Valve	42	B8	Steer Wheel Assembly
2	B145	Wiper	23 A	B123	Seat of Damping Valve			Poly On Nylon Hub W/ Bearings
3	B144	O-Ring	24 A	B124	Steel Ball			Complete Wheel Kit, 2 load roller assy, steer wheel assembly w/bearings, axles and fasteners
4	B152	Piston Rod	25	B153	Retaining Ring	42	GWK-BF-CK	
5	B143	Cylinder Cap	26	B128	Spring	43	B9	Bearing
6	B142	O-Ring	27	B129	Release Pin	44	B10	Half Cirque
7	B141	U-Cup	28 A	B130	O-Ring	45	B11	Washer
8	B147	Pump Piston	29	B15	Lube Fitting	46	B12	Retaining Ring
9	B148	Washer	30	B131	Sleeve	47	B13	Dust Cover
10	B149	Spring	31 A	B132	O-Ring	48	B4	Thrust Bearing
11	B150	Wiper	32	B135	Lever Plate	49	B6	Spring Pin
12	B151	U-Cup	33	B134	Nut	50	B5	Traverse
13	B117	Bolt and Washer	34	B133	Set Screw	51	B7	Retaining Ring
14	B118	Handle Pivot Pin	35	B139	Steel Ball	52	B102	Roll Pin
15 A	B126	Snap Ring	36	B138	Ball Valve Seat	53	B101	Blade Spring
16	B127	Screw Plug	37	B137	Spring	54	B104	Roll Pin
17	BP 10	Hydraulic Pump	38	B136	Bolt	55	B105	Roll Pin
18	B140	Lever Plate Bolt	39	B3	Bolt	56	B106	Roll Pin
19	B119	Screw Plug	40	B44	Nut	57	B107	Control Lever
20 A	B120	Copper Washer	41	B2	Steer Wheel Axle	58	B109	Handle Pin
21	B121	Spring						
						59	B110	Roll Pin
						60	B111	Roller
						61	B112	Bushing
						62	B114	Handle Bushing
						63	B113A	Control Linkage Assembly
						64	B1A	Handle Assembly, Complete
						KITS A	BK100	Seal Kit