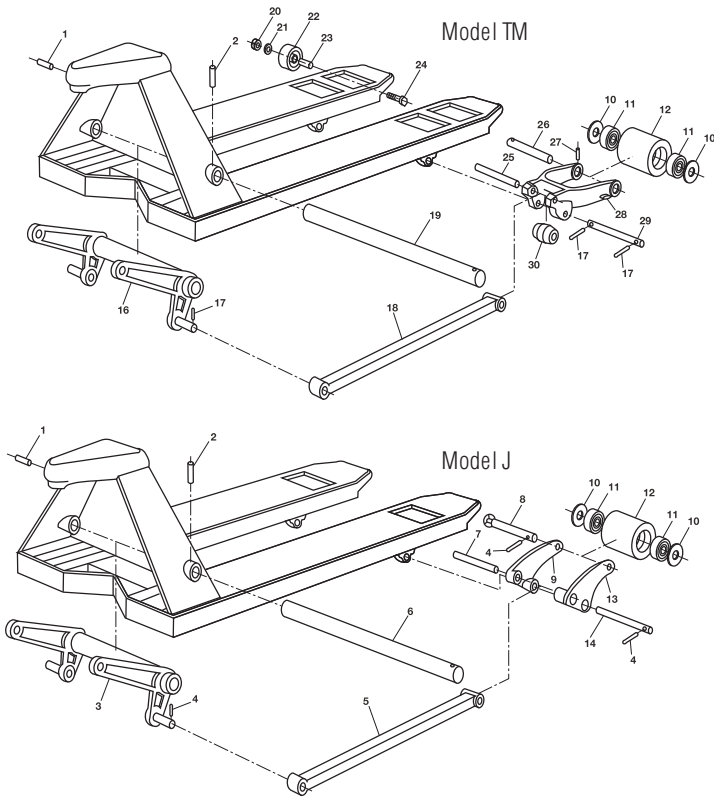
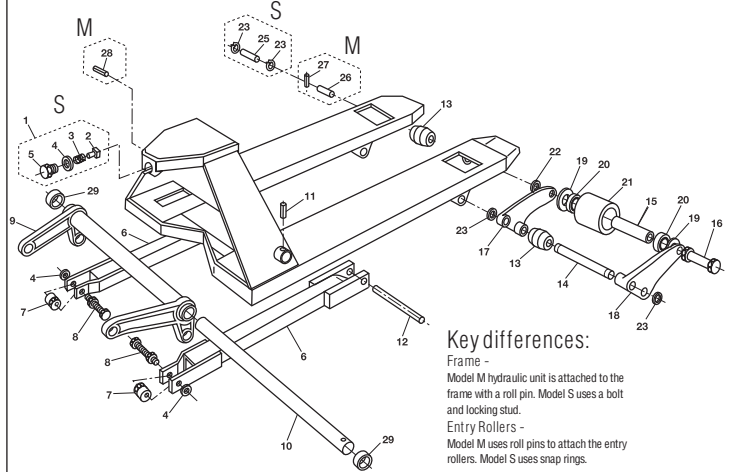


PALLET JACK PARTS

Multiton TM and J Frame



Multiton M and S Frame



Key differences:

Frame -
 Model M hydraulic unit is attached to the frame with a roll pin. Model S uses a bolt and locking stud.
 Entry Rollers -
 Model M uses roll pins to attach the entry rollers. Model S uses snap rings.

Multiton TM and J Frame

Item#	Part#	Description	Item#	Part#	Description
1	MU 05750211	Roll Pin	16	MU 95212-9	Lifting Link, 27" Wide Jack
2	MU 05759016	Roll Pin	17	MU 200013-510	Roll Pin
3	MU 91607-9	Lifting Link, 27" Wide Jack	18	MU 95213	Push Rod, 48" Forks
4	MU 05750220	Roll Pin	19	MU 95250-15	Lifting Link Shaft, 27" Wide Jack
5	MU 91610-9	Push Rod, 48" Forks	20	MU 0535001	Nut
6	MU 90150	Lifting Link Shaft, 27" Wide Jack	21	MU 0565005	Lock Washer
7	MU 91605	Push Rod Axle	22	MU 40197	Entry Roller
8	MU 91644	Load Roller Axle	23	MU 40196	Sleeve
9	MU 91626-1	Load Roller Bracket (Left)	24	MU 0405012	Bolt
10	MU 18968	Washer	25	MU 38688	Push Rod Axle
11	MU 06450071	Bearing	26	MU 38686	Load Roller Axle
12	MU 91619-A-D	Load Roller Assembly, Red Ultra Poly On Aluminum Hub W/ Bearings	27	MU 05759011	Roll Pin
	MU 91619-A	Load Roller Assembly, Black Ultra Poly On Steel Hub W/ Bearings	28	MU 95289	Load Roller Bracket
	MU 91619-S	Load Roller Assembly, Steel W/ Bearings	29	MU 38582	Pivot Axle
	MU 90317-A	Load Roller Assembly, Nylon W/ Bearings	30	MU 90350	Exit Roller
	MU 90332-A	Tandem Load Roller Assembly, Poly On Steel W/ Bearings		MU 90113-A	Brake Cable Assembly
	GWK-TM-LW	Load Wheel Kit, Incl. (2) Load Roller Assy W/ Bearings, Axles & Fasteners			
13	MU 91626-2	Load Roller Bracket (Right)			
14	MU 91604	Pivot Axle			

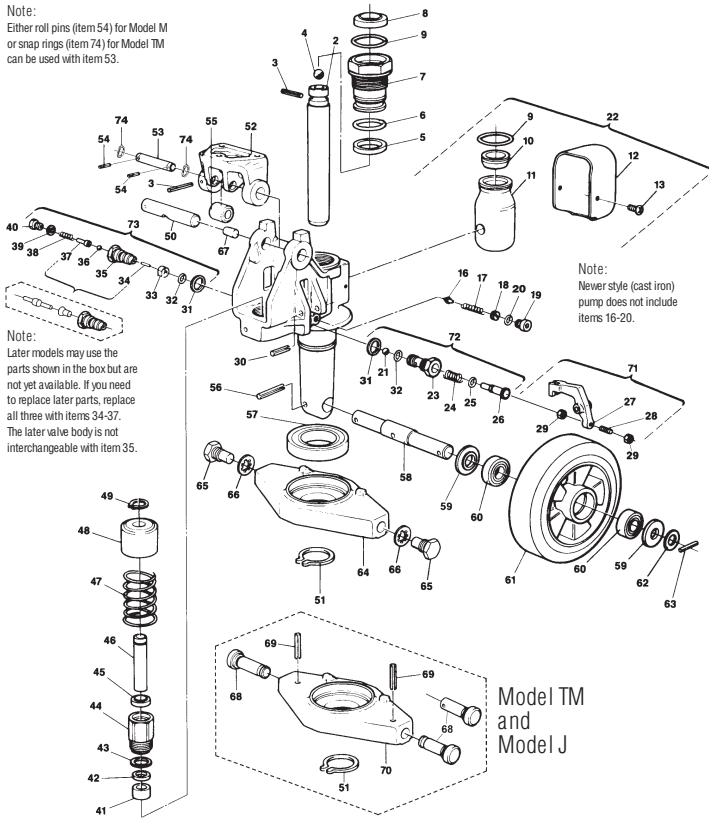
Multiton M and S Frame

Item#	Part#	Description	Item#	Part#	Description
1	MU 23126-A	Locking Stud Assembly	16	MU 190076	Axle Bolt and Lock Nut
2	MU 23126	Locking Stud	17	MU 20163-11	Load Roller Bracket (Left)
3	MU 20440	Spring	18	MU 20163-12	Load Roller Bracket (Right)
4	MU 0560002	Lock Washer	19	MU 18968	Washer
5	MU 23125	Bolt	20	MU 06450071	Bearing
6	MU 20208-9	Push Rod, 48" Forks	21	MU 325-P-D	Load Roller Assembly, Red Ultra Poly On Aluminum Hub W/ Sleeve, Bearings and Washers
7	MU 20204	Eccentric		MU 325-P	Load Roller Assembly, Black Ultra Poly On Steel Hub W/ Sleeve, Bearings and Washers
8	MU 190070	Bolt and Nut		MU 90320	Load Roller Assembly, Nylon W/ Sleeve, Bearings, Washers
9	MU 20639-20	Lifting Link, 20" Wide Jack		MU 325-S	Load Roller Assembly, Steel W/ Sleeve, Bearings, Washers
	MU 20639-27	Lifting Link, 27" Wide Jack		MU 325-TP	Tandem Load Roller Assembly, Poly On Steel W/ Bearings
10	MU 90150	Lifting Link Shaft, 27" Wide Jack	22	MU 0560002	Lock Washer
11	MU 05759016	Roll Pin	23	MU 06259059	Snap Ring
12	MU 19991	Push Rod Axle	25	MU 20260	Pin
13	MU 90350	Entry Roller	26	MU 25172	Pin
14	MU 19994	Pivot Axle	27	MU 192117	Roll Pin
15	MU 41118	Sleeve (Single)	28	MU 05750211	Roll Pin
	MU 20724	Sleeve (Tandem)	29	MU 90152-11	Bushing

PALLET JACK PARTS

Multiton TM, M & J Hand Control Hydraulic Unit

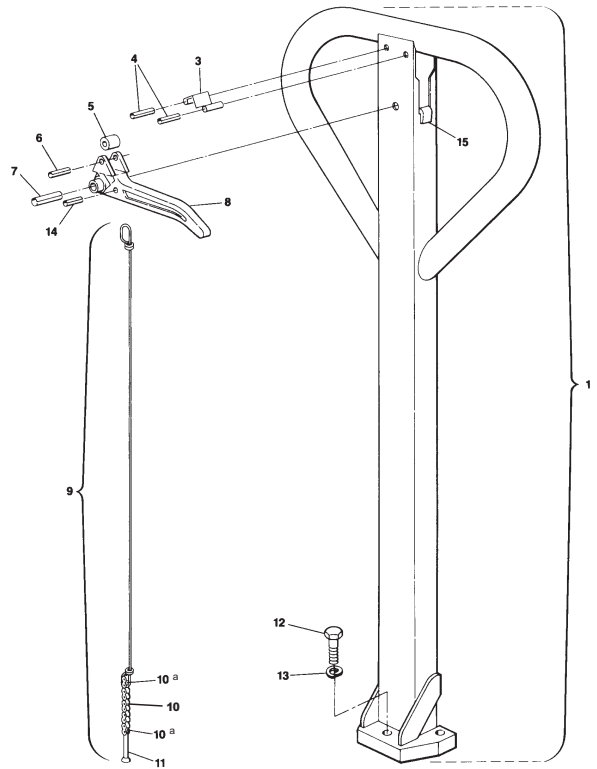
Note:
Either roll pins (item 54) for Model M or snap rings (item 74) for Model TM can be used with item 53.



Note:
Later models may use the parts shown in the box but are not yet available. If you need to replace later parts, replace all three with items 34-37. The later valve body is not interchangeable with item 35.

Model TM and Model J

Multiton TM, M and J Handle



Multiton TM, M & J Hand Control Hydraulic Unit

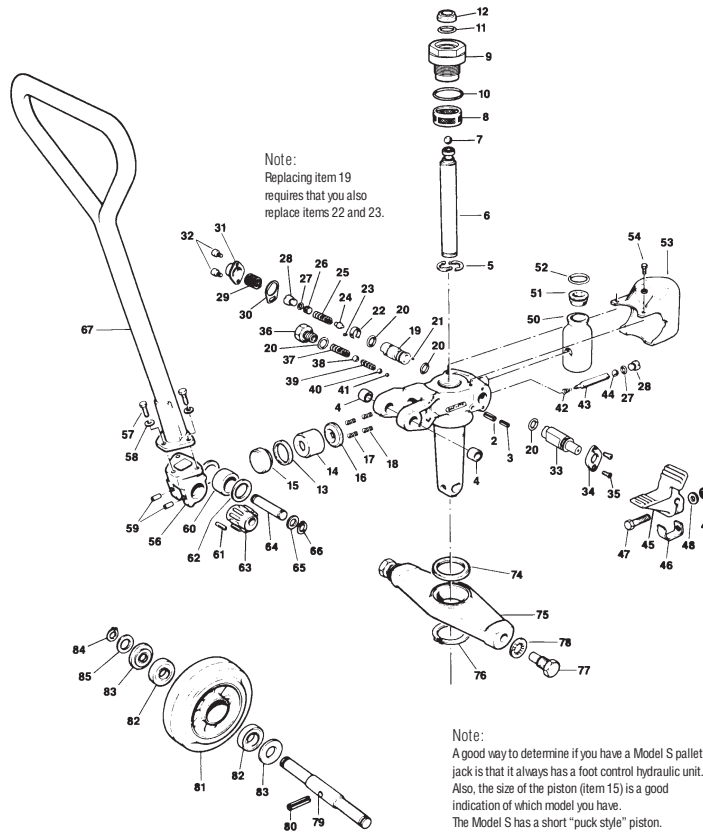
Item#	Part#	Description	Item#	Part#	Description	Item#	Part#	Description
2	MU 39879	Ram	44	MU 39773	Pump Cylinder	KITS A	MU 200064-901-SUPER	Super Seal Kit
3	MU 05750211	Roll Pin	45 A B C	MU 200059-450	Scraper	KITS B	MU 200064-901	Seal Kit
4	MU 06750071	Ball	46	MU 39806	Piston	KITS C	MU 74701-SLIM	Slim Seal Kit
5 A B C	MU 200059-310	U-Cup	47	MU 38972	Spring	HU	MU 40146X	Rebuilt Hydraulic Unit - Exchange
6 A B C	MU 200059-500	O-Ring	48	MU 38977	Spring Cap		MU 40146X-AM	New After-Market Replacement Pump
7	MU 39775	Top Nut	49 A B C	MU 820493	Snap Ring			
8 A B C	MU 200059-440	Scraper	50	MU 40057	Handle Pin			
9 A B C	MU 101003	O-Ring	51	MU 06259058	Snap Ring			
10 A B	MU 21675	Filler Plug	52	MU 91206	Bracket Assembly			
11 A B	MU 21660	Reservoir	53	MU 38613	Shaft			
12 A	MU 38630	Cowling	54	MU 05759015	Roll Pin			
13 A B	MU 04459023	Screw	55	MU 38614	Roller			
16 A	MU 39002	Valve	56	MU 05759018	Roll Pin			
17 A	MU 39005	Spring	57	MU 06450077	Traverse Bearing			
18	MU 39004	Adjusting Screw	58	MU 90109	Steer Wheel Axle			
19	MU 200059-420	Screw Plug	59	MU 18968	Washer			
20 A B C	MU 80008	O-Ring	60	MU 06450071	Bearing			
21 A	MU 820209	Ball	61	MU 90100-01-P-HD	Steer Wheel Assembly, Red Ultra Poly On Aluminum Hub W/ Bearings			
22	MU 21660-A	Reservoir Assembly		MU 90164-ST	Steer Wheel Assembly, Poly On Nylon Hub W/ Bearings			
23	MU 39928	Release Valve Body		MU 90163	Steer Wheel Assembly, Nylon W/ Bearings			
24 A	MU 39940	Spring		MU 90100-01-S	Steer Wheel Assembly, Steel W/ Bearings			
25 A B C	MU 200059-550	O-Ring		GWK-TM-CK	Complete Wheel Kit, Incl 2 load roller assy 2 steer wheel assy, w/bearings, axles and fasteners			
26	MU 39926	Release Pin	62	MU 21353	Washer			
27	MU 52684	Release Lever	63	MU 0575001	Roll Pin			
28	MU 200061-110	Adjusting Screw	64	MU 40948	Traverse (M Model)			
29	MU 80180	Nut	65	MU 20218	Shoulder Bolt			
30	MU 200013-760	Roll Pin	66	MU 05659038	Lock Washer			
31 B C	MU 200023-600	Washer	67	MU 200059-150	Bushing			
32 A B C	MU 200059-540	O-Ring	68	MU 05250181	Shoulder Pin Set			
33	MU 40725	Spring	69	MU 05750213	Roll Pin			
34	MU 200059-400	Valve Pin		MU 200013-620	Roll Pin			
35	MU 39929	Valve Body	70	MU 90032-11	Traverse			
36 A	MU 820206	Ball		MU 40089	Traverse			
37	MU 39927	Spring Guide	71	MU 40160	Activator			
38 A	MU 39939	Spring	72	MU 43027	Plunger Assembly			
39 A B C	MU 100919	Washer	73	MU 43026	Valve Assembly			
40	MU 39153	Screw Plug	74	MU 06259051	Snap Ring			
41	MU 39778	Bushing						
42 A B C	MU 200059-460	U-Cup						
43 A B C	MU 39777	Washer						

Multiton TM, M and J Handle

Item#	Part#	Description
1	MU 38587-HD	Handle Assembly, Complete
3	MU 38597	Handle Spring
4	MU 0575901	Roll Pin
5	MU 38596	Cam
6	MU 05759015	Roll Pin
7	MU 05759016	Roll Pin
8	MU 40128	Control Lever
9	MU 90144	Control Rod and Chain Assembly
10	MU 40794-001B	Chain
10a	MU 38599-001	Master Link
11	MU 90181	Chain Connector
12	MU 04059078	Bolt
13	MU 192182	Lock Washer
14	MU 05759019	Roll Pin
15	MU 901900-001	Rubber Cushion

PALLET JACK PARTS

Multiton S Foot Control Hydraulic Unit



Multiton S Foot Control Hydraulic Unit

Item#	Part#	Description	Item#	Part#	Description	Item#	Part#	Description
2	MU 192151	Roll Pin	42	MU 20377	Spring	85	MU 35681	Washer
3	MU 192125	Roll Pin	43	MU 20175	Cam	KITS A	MU 21719	Seal Kit
4	MU 23163	Bushing	44 A	MU 820209	Ball	KITS B	MU 21719-SLIM	Slim Seal Kit
5	MU 820620	Locking Ring	45	MU 20191	Pedal			
6	MU 20178	Ram	46 A B	MU 20595	Spring			
7	MU 06750071	Ball	47	MU 190049	Bolt and Nut			
8	MU 20599	Filter	48	MU 0565005	Lock Washer			
9	MU 20179	Top Nut	50 A	MU 21660	Reservoir			
10 A B	MU 100975	O-Ring	51 A	MU 21675	Filler Plug			
11 A B	MU 102176	O-Ring	52 A B	MU 101003	O-Ring			
12 A B	MU 20369	Scraper	53	MU 20245	Cowling			
13 A B	MU 26381	Seal	54 A B	MU 04459023	Screw			
14 A B	MU 20238	Diaphragm	56	MU 19819	Handle Bracket			
15	MU 26382	Piston	57	MU 04059078	Bolt			
16	MU 20174	Washer	58	MU 192302	Lock Washer			
17 A	MU 3647	Spring	59	MU 19812	Pin			
18 A	MU 20594	Spring	60	MU 36591	Bearing Sleeve			
19	MU 19740	Valve	61	MU 80675	Bearing Needle (45 Needles Required)			
20 A B	MU 100997	O-Ring	62	MU 36592	Washer			
21 A	MU 820207	Ball	63	MU 21352	Eccentric			
22	MU 20597	Spring Clip	64	MU 21351	Handle Pin			
23	MU 190953	Rivet	65	MU 21353	Washer			
24	MU 19744	Valve	66 A B	MU 820495	Snap Ring			
25 A	MU 19750	Spring	67	MU 39294	Handle Frame			
26	MU 19745	Set Screw	74	MU 28087	Traverse Bearing			
27 A B	MU 100988	O-Ring	75	MU 28086	Traverse			
28	MU 21573	Screw Plug	76	MU 06259058	Snap Ring			
29	MU 19349	Spring	77	MU 20218	Shoulder Bolt			
30	MU 20387	Locking Ring	78	MU 05659038	Lock Washer			
31	MU 20194	Cover	79	MU 20231	Axle			
32	MU 190691	Bolt	80	MU 05759018	Roll Pin			
33	MU 20177	Pedal Shaft	81	MU 800-P-HD	Steer Wheel Assembly, Red Ultra Poly On Aluminum Hub W/ Bearings			
34	MU 20193	Shaft Lock		MU 800-P-ST	Steer Wheel Assembly, Poly On Nylon Hub W/ Bearings			
35	MU 190906	Screw		MU 800-N	Steer Wheel Assembly, Nylon W/ Bearings			
36	MU 20200	Screw Plug		MU 800-S	Steer Wheel Assembly, Steel W/ Bearings			
37 A	MU 20188	Spring	82	MU 820018	Bearing			
38 A	MU 820215	Ball	83	MU 20301	Washer			
39 A	MU 19350	Spring	84 A	MU 06259060	Snap Ring			
40 A	MU 820212	Ball						
41 A	MU 820206	Ball						