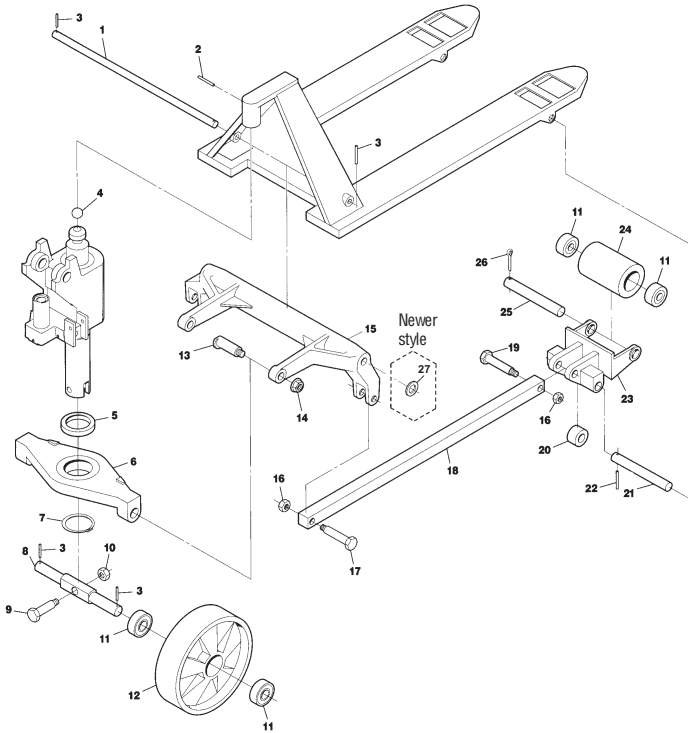
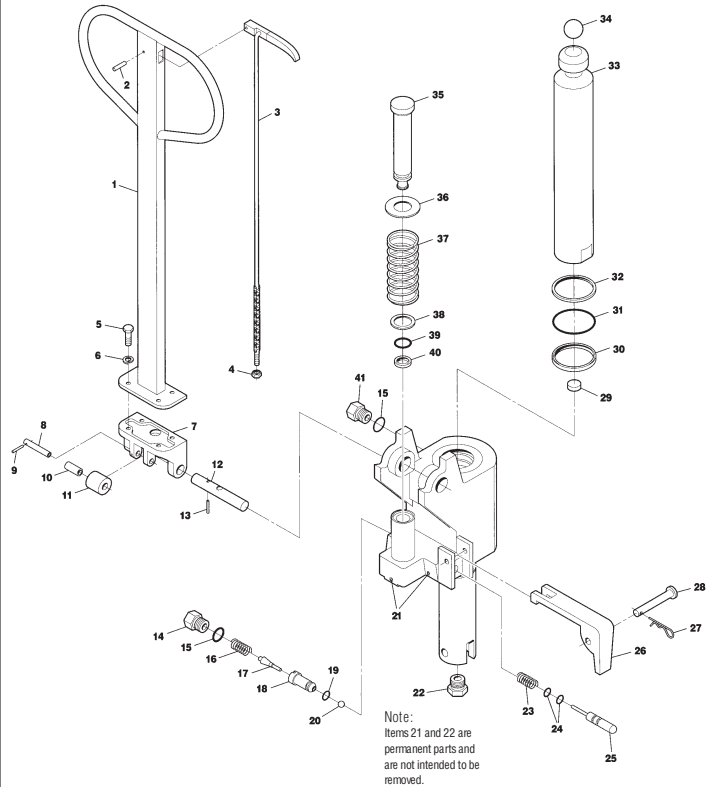


PALLET JACK PARTS

Pallet Mule AA5000 and AA5500 Frame



Pallet Mule AA5000 and AA5500 Hydraulic Unit



Pallet Mule AA5000 and AA5500 Frame

Item#	Part#	Description	Item#	Part#	Description	Item#	Part#	Description
1	AA-55-7	Lifting Link Shaft, 27" Wide Jack	12	AA-7.25x2 PMWB-ST	Steer Wheel Assembly, Nylon On Poly Hub W/ Bearings (Newer 7" Wheel)	21	AA-62	Pivot Axle
2	AA-57	Roll Pin		AA-7.25x2	Steer Wheel Assembly, Nylon W/ Bearings (Newer 7" Wheel)	AA-62-2.9		Pivot Axle, 2.9" Lowered Height
3	AA-50	Roll Pin		GWK-PUAA-CK	Complete Wheel Kit, Incl. 2 load roller assy, 2 steer wheel assy w/bearings, axles and fasteners	22	AA-63	Roll Pin
4	AA-44	Ball	13	AA-36	Shoulder Bolt	23	AA-59	Load Roller Bracket
5	AA-30	Thrust Bearing	14	AA-39	Nut	AA-59-2.9		Load Roller Bracket, 2.9" Lowered Height
6	AA-61	Traverse	15	AA-53-7	Lifting Link, 27" Wide Jack	24	AA-3x4 PMWB	Load Roller Assembly, Red Ultra Poly On Aluminum Hub W/ Bearings
7	AA-28	Snap Ring	16	AA-51	Lock Nut	AA-3x4 PMWB-D		Load Roller Assembly, Black Ultra Poly On Steel Hub W/ Bearings
8	AA-46	Steer Wheel Axle	17	AA-60	Bolt	AA-2.875x4 PMWB-D		Load Roller Assembly, Black Ultra Poly On Steel Hub W/ Bearings, 2.9" Lowered Height
9	AA-29	Shoulder Bolt	18	AA-58-36	Push Rod, 36" Forks	25	AA-66	Load Roller Axle
10	AA-29N	Lock Nut	19	AA-74	Bolt	26	AA-67	Cotter Pin
11	AA-64	Bearing	20	AA-52	Exit Roller	27	AA-3/4	Washer
12	AA-8x2 PMWB-HD	Steer Wheel Assembly, Red Ultra Poly on aluminum hub w/bearings (older 8" steer wheel)		AA-52-2.9	Exit Roller, 2.9" Lowered Height			
	AA-8x2 SMWB	Steer Wheel Assembly, Steel W/ Bearings (Older 8" Wheel)						
	AA-7.25x2 PMWB-HD	Steer Wheel Assy, Red Ultra Poly on aluminum hub w/bearings (newer 7" wheel)						

Pallet Mule AA5000 and AA5500 Hydraulic Unit

Item#	Part#	Description	Item#	Part#	Description	Item#	Part#	Description
1	AA-68-Complete	Handle Assembly, Complete	18	AA-17	Valve Cone Housing	36	AA-03.3	Washer
2	AA-70	Roll Pin	19 A	AA-18	O-Ring	37	AA-04	Spring
3	AA-69	Control Lever, Rod and Chain	20 A	AA-19	Ball	38 A	AA-05.3	Scraper
4	AA-73	Adjusting Nut	21		Plug (Not To Be Removed)	39 A	AA-06.3	O-Ring
5	AA-22	Bolt	22		Plug (Not To Be Removed)	40 A	AA-07.3	U-Cup
6	AA-24	Lock Washer	23 A	AA-31	Spring	41	AA-25	Filler Plug
7	AA-23-Complete	Handle Bracket Assembly, (Incl. Items 8 through 11)	24 A	AA-32	O-Ring	KITS A	AA-76-5000	Seal Kit
8	AA-11	Pin	25	AA-34	Plunger	HU PU AA5000		Rebuilt Hydraulic Unit - Exchange
9	AA-12	Roll Pin	26	AA-35	Release Lever			
10	AA-10	Bushing	27	AA-27	Clip Pin			
11	AA-09	Roller	28	AA-26	Pin			
12	AA-21	Pin	29	AA-38	Magnet			
13	AA-20	Roll Pin	30 A	AA-43	U-Cup			
14	AA-14	Plug	31 A	AA-40	O-Ring			
15 A	AA-41	O-Ring	32 A	AA-37	Scraper			
16 A	AA-15	Spring	33	AA-45	Ram			
17	AA-16	Valve Cone	34	AA-44	Ball			
			35	AA-02.3	Piston			