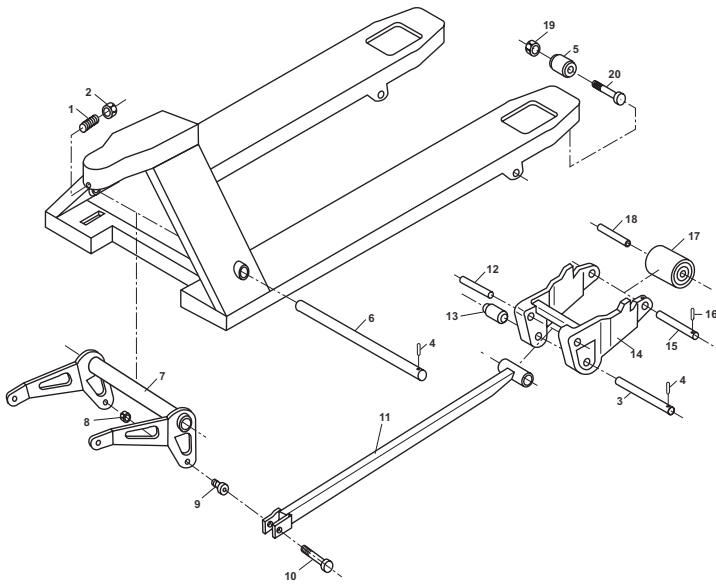
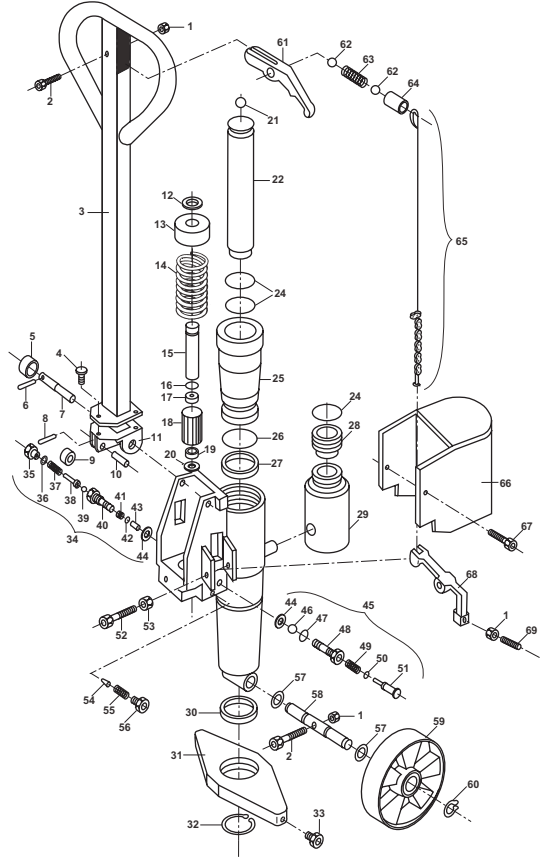


PALLET JACK PARTS

Pramac GS22 Frame



Pramac GS22 Hydraulic Unit



Pramac GS22 Frame

Item#	Part#	Description
1	G022307	Set Screw
2	G032308	Nut
3	S0002205040	Pivot Axle
4	G044312	Roll Pin
5	G056103	Entry Roller
6	S0003035042	Lifting Link Shaft, 27" Wide Jack
7	S0003015038	Lifting Link Shaft, 20-1/2" Wide Jack
8	S0013020079	Lifting Link, 27" Wide Jack
9	S0003020146	Lifting Link, 20-1/2" Wide Jack
10	G032312	Nut

Item#	Part#	Description
9	S0003015006	Eccentric
10	G022223	Bolt
11	S0012200155	Push Rod, 36" Forks
12	S0012200157	Push Rod, 42" Forks
13	S0012200159	Push Rod, 48" Forks
14	S0002205038	Push Rod Axle
15	G056391	Exit Roller
16	S0012201004	Load Roller Bracket
17	S0002205039	Load Roller Axle
18	G044307	Roll Pin

Item#	Part#	Description
17	S0002010328-D	Load Roller Assembly, Red Ultra Poly On Aluminum Hub W/ Bearings
	S0002010328	Load Roller Assembly, Black Ultra Poly On Steel Hub W/ Bearings
18	S0002206023	Bushing
19	G056103-N	Nut
20	G056103-B	Bolt

Pramac GS22 Hydraulic Unit

Item#	Part#	Description
1	G032301	Nut
2	G022006	Screw
3	S0004030243	Handle Assembly
4	G022112	Bolt
5	S0004018002	Bushing
6	G044309	Roll Pin
7	S0004013008	Pin
8	G044307	Roll Pin
9	S0004013001	Roller
10	S0004013002	Pin
11	004011012	Handle Bracket
12	G042501	Snap Ring
13	G09007	Spring Cap
14	G001142	Spring
15	S0014015003	Pump Piston
16 A	G095006	O-Ring
17 A	G098304	Seal
18	S0014015002	Cylinder
19	S0014018002	Nylon Bushing
20	G096006	Washer
21	G016103	Ball
22	S0004013007	Piston
24 A	G095005	O-Ring
25	P0004010467	Top Nut/Cylinder
26 A	G095004	O-Ring

Item#	Part#	Description
27 A	G098201	Seal
28	S0004018001	Reservoir Cap
29	S0004018003	Oil Reservoir
30	G010220	Traverse Bearing
31	S0014011030	Traverse
32	G042160	Snap Ring
33	S0004015007	Shoulder Bolt
35 C	S0004015014	Cap/Plug
36 C	G096102	Washer
37 C	G001101	Spring
38 C	S0004015013	Ball Guide
39 C	G016116	Ball
40 C	S0004015012	Valve
41 C	G001113	Spring
42 A,C	G095003	O-Ring
43 C	G016202	Valve
44 A,C	G096201	Washer
46 B	G016104	Ball
47 B	G095003	O-Ring
48 B	S0004015010	Valve Seat
49 B	G001102	Spring
50 A,B	G095002	O-Ring
51 B	S0004015011	Valve Plunger
52	G022220	Bolt
53	G034401	Nut

Item#	Part#	Description
54	S0004015008	Cone
55	G001104	Spring
56	G022501	Screw
57	G091101	Washer
58	S0004015015	Steer Wheel Axle
59	S0014010028-HD	Steer Wheel Assembly, Red Ultra Poly On Aluminum Hub W/ Bearings
	S0014010028-ST	Steer Wheel Assembly, Poly On Nylon Hub W/ Bearings
	S000401066	Steer Wheel Assembly, Nylon W/ Bearings
60	G042120	Snap Ring
61	S0004018006	Control Lever
62	G016104	Ball
63	G001126	Spring
64	S0004036022	Control Lever Bushing
65	S0004010235	Control Rod and Linkage
66	S0004018005	Reservoir Guard
67	S0004018003-S	Screw
68	G01403	Pump Lever
69	G023102	Screw
KITS A	G090001	Seal Kit
KITS B	S0004010035	Relief Valve Kit
KITS C	S0004010036	Valve Kit
HU GS 22		Rebuilt Hydraulic Unit - Exchange