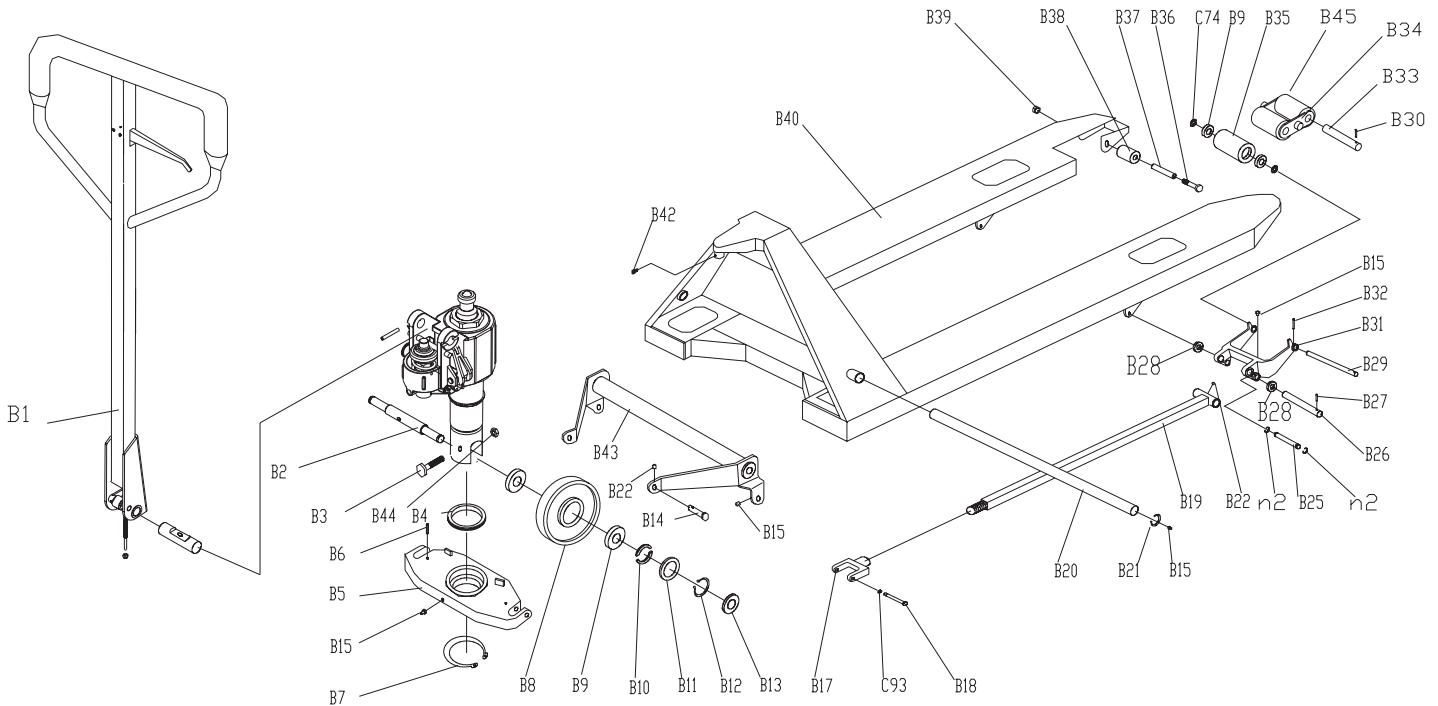


PALLET JACK PARTS

MJP20-5500, MJP36-5500& MJP-5500 Frame

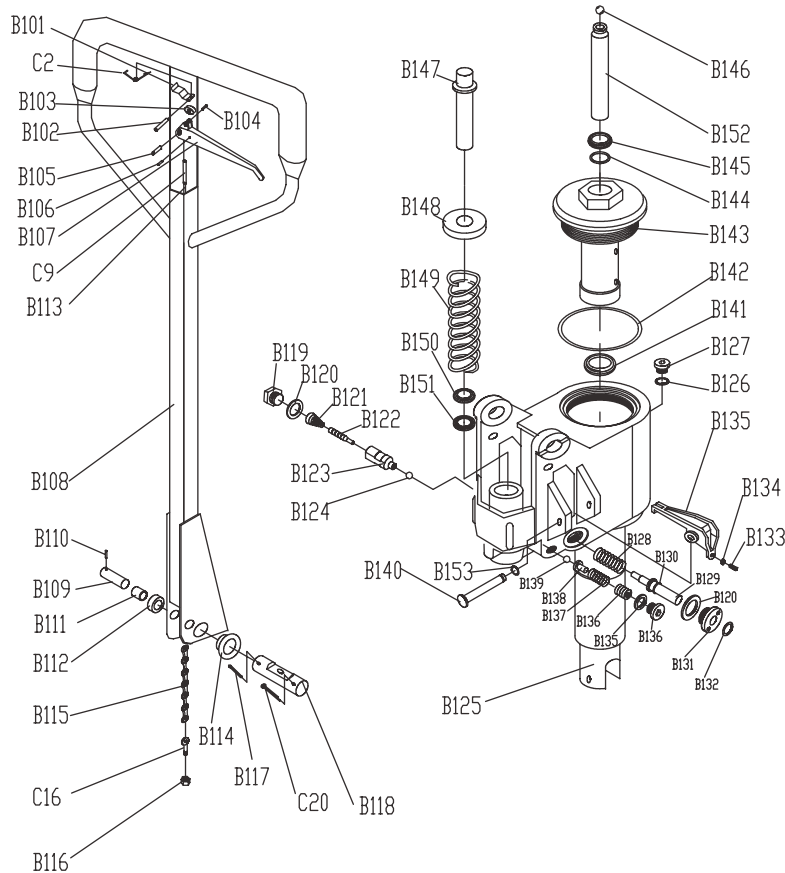


MJP20-5500, MJP36-5500& MJP-5500 Frame

| Item# | Part# | Description | Quantity | Item# | Part# | Description | Quantity |
|-------|---------|--------------------------|----------|-------|---------|-------------------------|----------|
| B1 | B1-MJP | Handle and pump complete | 1 | B34 | B34-MJP | Nog Of Fork Wheel | 0(4") |
| B2 | B2-MJP | Shaft | 1 | B35 | B35-MJP | Double Fork Wheel | 0(4") |
| B3 | B3-MJP | Bolt | 1 | B36 | B36-MJP | Bolt | 2 |
| B4 | B4-MJP | Bearing | 1 | B37 | B37-MJP | Sheath | 2 |
| B5 | B5-MJP | Supporting Base | 1 | B38 | B38-MJP | Pilot Wheel | 2 |
| B6 | B6-MJP | Elastic Pin | 2 | B39 | B39-MJP | Nut | 2 |
| B7 | B7-MJP | Retaining Ring For Axle | 1 | B40 | B40-MJP | Fork Frame | 1 |
| B8 | B8-MJP | Steel Wheel | 2 | B42 | B42-MJP | Inside Hex Screw | 1 |
| B9 | B9-MJP | Bearing | 8 | B43 | B43-MJP | Rocker Arm | 1 |
| B10 | B10-MJP | Half Circle | 2 | B44 | B44-MJP | Nut | 1 |
| B11 | B11-MJP | Bowl Washer | 2 | C93 | C93-MJP | Retaining Ring For Axle | 2 |
| B12 | B12-MJP | Retaining Ring For Axle | 2 | n2 | N2-MJP | Retaining Ring For Axle | 4 |
| B13 | B13-MJP | Dust Cover | 2 | C74 | C74-MJP | Washer | 4(8") |
| B14 | B14-MJP | Pin | 2 | | | | |
| B15 | B15-MJP | Oiler | 9 | | | | |
| B17 | B17-MJP | Joint | 2 | | | | |
| B18 | B18-MJP | Pin | 2 | | | | |
| B19 | B19-MJP | Straight Tappet | 2 | | | | |
| B20 | B20-MJP | Long Shaft | 1 | | | | |
| B21 | B21-MJP | Retaining Ring For Hole | 2 | | | | |
| B22 | B22-MJP | Oiler | 4 | | | | |
| B25 | B25-MJP | Short Shaft | 2 | | | | |
| B26 | B26-MJP | Shaft | 2 | | | | |
| B27 | B27-MJP | Elastic Pin | 2 | | | | |
| B28 | B28-MJP | Washer | 4 | | | | |
| B29 | B29-MJP | Shaft Of Fork Wheel | 2 | | | | |
| B30 | B30-MJP | Elastic Pin | 2 | | | | |
| B31 | B31-MJP | Frame Of Fork Wheel | 2 | | | | |
| B32 | B32-MJP | Elastic Pin | 2 | | | | |
| B33 | B33-MJP | Shaft For Double Wheel | 0(4") | | | | |

PALLET JACK PARTS

MJP20-5500, MJP36-5500 & MJP-5500 Hydraulic Unit



MJP20-5500, MJP36-5500 & MJP-5500 Hydraulic Unit

| Item# | Part# | Description | Quantity | Item# | Part# | Description | Quantity |
|-------|----------|-----------------------|----------|-------|----------|-------------------------|----------|
| B101 | B101-MJP | Spring | 1 | B127 | B127-MJP | Plug | 1 |
| B102 | B102-MJP | Elastic Pin | 1 | B128 | B128-MJP | Spring | 1 |
| C2 | C2-MJP | Spring | 1 | B129 | B129-MJP | Valve Tappet | 1 |
| B103 | B103-MJP | Roller | 1 | B130 | B130-MJP | O-Ring | 1 |
| B104 | B104-MJP | Elastic Pin | 1 | B131 | B131-MJP | Cupreous Sheath | 1 |
| B105 | B105-MJP | Elastic Pin | 1 | B132 | B132-MJP | O-Ring | 1 |
| B106 | B106-MJP | Elastic Pin | 1 | B133 | B133-MJP | Regulate Screw | 1 |
| B107 | B107-MJP | Handle | 1 | B134 | B134-MJP | Nut | 1 |
| B108 | B108-MJP | Hand Tube | 1 | B135 | B135-MJP | Lever Plate | 1 |
| C9 | C9-MJP | Join Blade | 1 | B136 | B136-MJP | Screw | 1 |
| B109 | B109-MJP | Pressure Roller Shaft | 1 | B137 | B137-MJP | Spring | 1 |
| B110 | B110-MJP | Elastic Pin | 1 | B138 | B138-MJP | Steel Ball Base | 1 |
| B111 | B111-MJP | Bush | 1 | B139 | B139-MJP | Steel Ball | 1 |
| B112 | B112-MJP | Pressure Roller | 1 | B140 | B140-MJP | Pin | 1 |
| B113 | B113-MJP | Pull Rod | 1 | B141 | B141-MJP | U-Ring | 1 |
| B114 | B114-MJP | Bushing | 2 | B142 | B142-MJP | O-Ring | 1 |
| B115 | B115-MJP | Chain | 1 | B143 | B143-MJP | Cylinder Liner | 1 |
| C16 | C16-MJP | Adjusting Screw | 1 | B144 | B144-MJP | O-Ring | 1 |
| B116 | B116-MJP | Nut | 1 | B145 | B145-MJP | Dust Ring | 1 |
| B117 | B117-MJP | Elastic Pin | 1 | B146 | B146-MJP | Steel Ball | 1 |
| C20 | C20-MJP | Split Pin | 1 | B147 | B147-MJP | Small Piston Rod | 1 |
| B118 | B118-MJP | Pressure Shaft | 1 | B148 | B148-MJP | Hood | 1 |
| B119 | B119-MJP | Plug | 1 | B149 | B149-MJP | Spring | 1 |
| B120 | B120-MJP | Copper Washer | 2 | B150 | B150-MJP | Dust Ring | 1 |
| B121 | B121-MJP | Spring | 1 | B151 | B151-MJP | U-Ring | 1 |
| B122 | B122-MJP | Spindle Of Damping | 1 | B152 | B152-MJP | Big Piston Rod | 1 |
| B123 | B123-MJP | Seat Of Damping Valve | 1 | B153 | B153-MJP | Retaining Ring For Axle | 1 |
| B124 | B124-MJP | Steel Bead | 1 | | | | |
| B125 | B125-MJP | Base Frame | 1 | | | | |
| B126 | B126-MJP | Copper Washer | 1 | | | | |